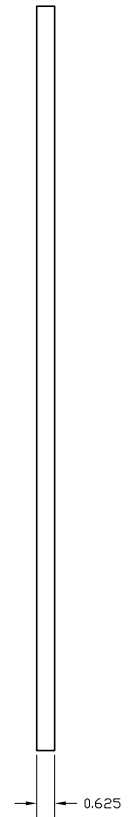
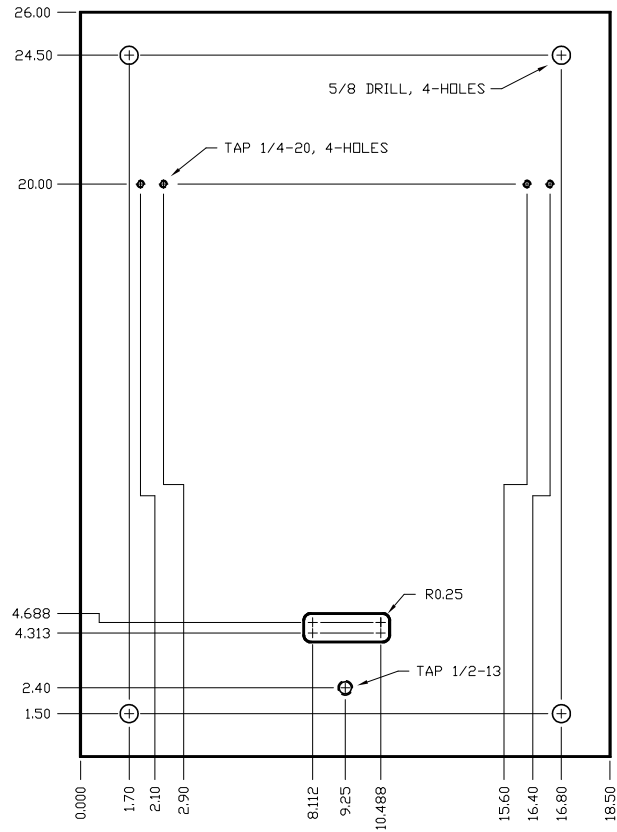


PN 4228



TOLERANCE .XX ±.007 .XXX ±.003	CONTRACT MEADE 16" WEDGE	<i>OPTEC, Inc.</i>	
MATERIAL 6061	REVISION 10/29/02	BASE PLATE	
FINISH BRIGHT DIP BLACK ANODIZE		SCALE: 1/4X	NO: 17-40001