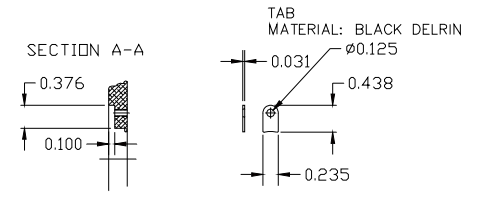
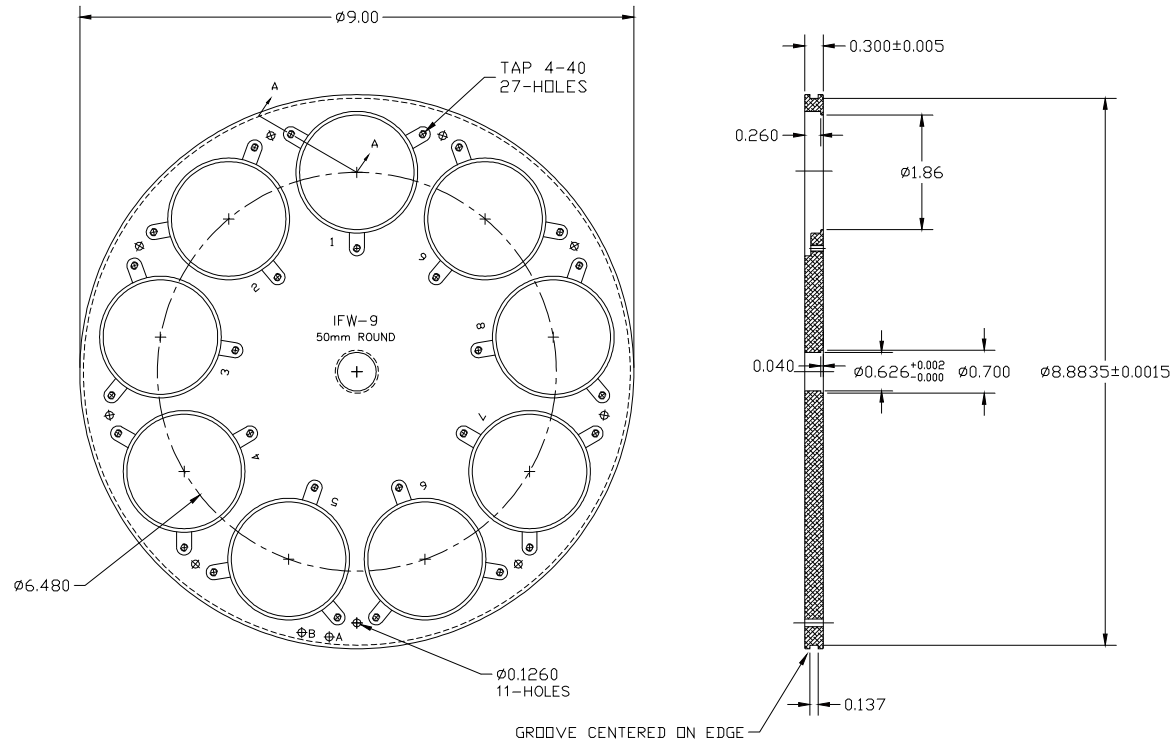


PN 4644



TOLERANCE .XX ±.007 .XXX ±.003	CONTRACT IFW-9	<i>OPTEC, Inc.</i>	
MATERIAL MACHINE PLATE	REVISION 5/30/07 6/4/07 1/23/08	50MM WHEEL 9-POS	
FINISH BLACK ANODIZE		SCALE: 1/2X	NO: 17-07403