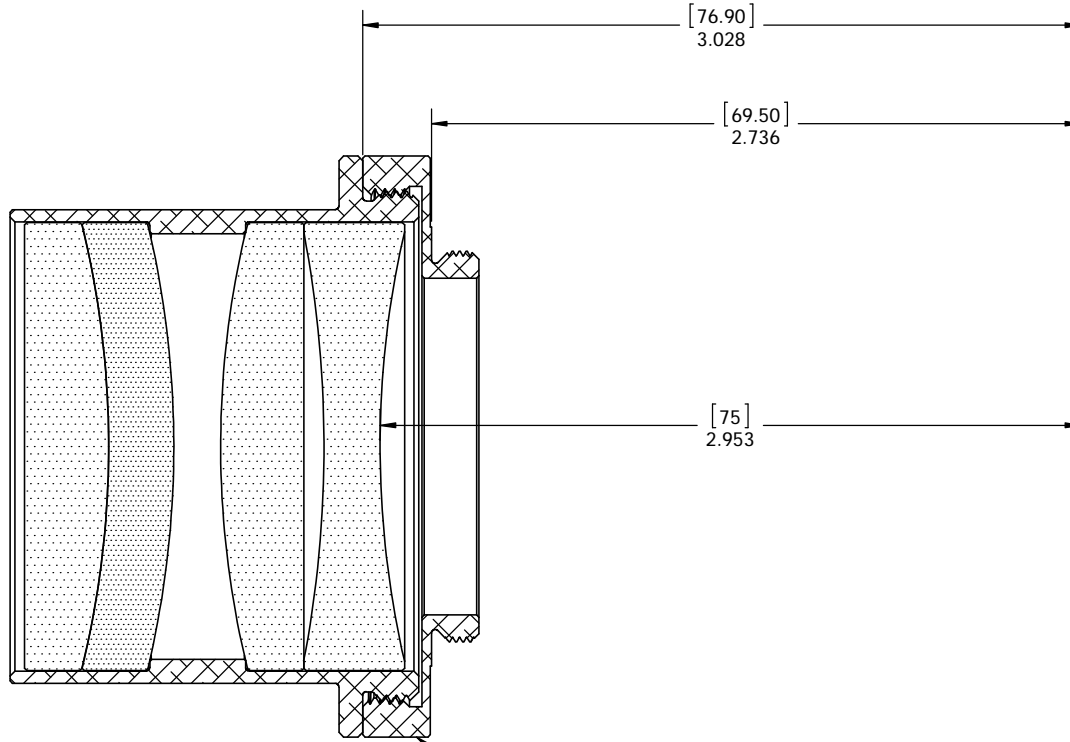


STK NO 19472



STK NO 19391

UNLESS OTHERWISE SPECIFIED: DIMENSIONS ARE IN INCHES TWO PLACE DECIMAL ±.007 THREE PLACE DECIMAL ±.003	DRAWN	NAME	DATE	Optec Inc.
	CHECKED	LD	01/18/13	
	ENG APPR.			
	MFG APPR.			
MATERIAL	N/A	CONTRACT		TITLE: NGC214 BACK FOCUS
FINISH	N/A	NGC214		SIZE DWG. NO. B N/A
DO NOT SCALE DRAWING				SCALE: 2:1 WEIGHT: SHEET 1 OF 1

