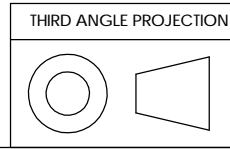
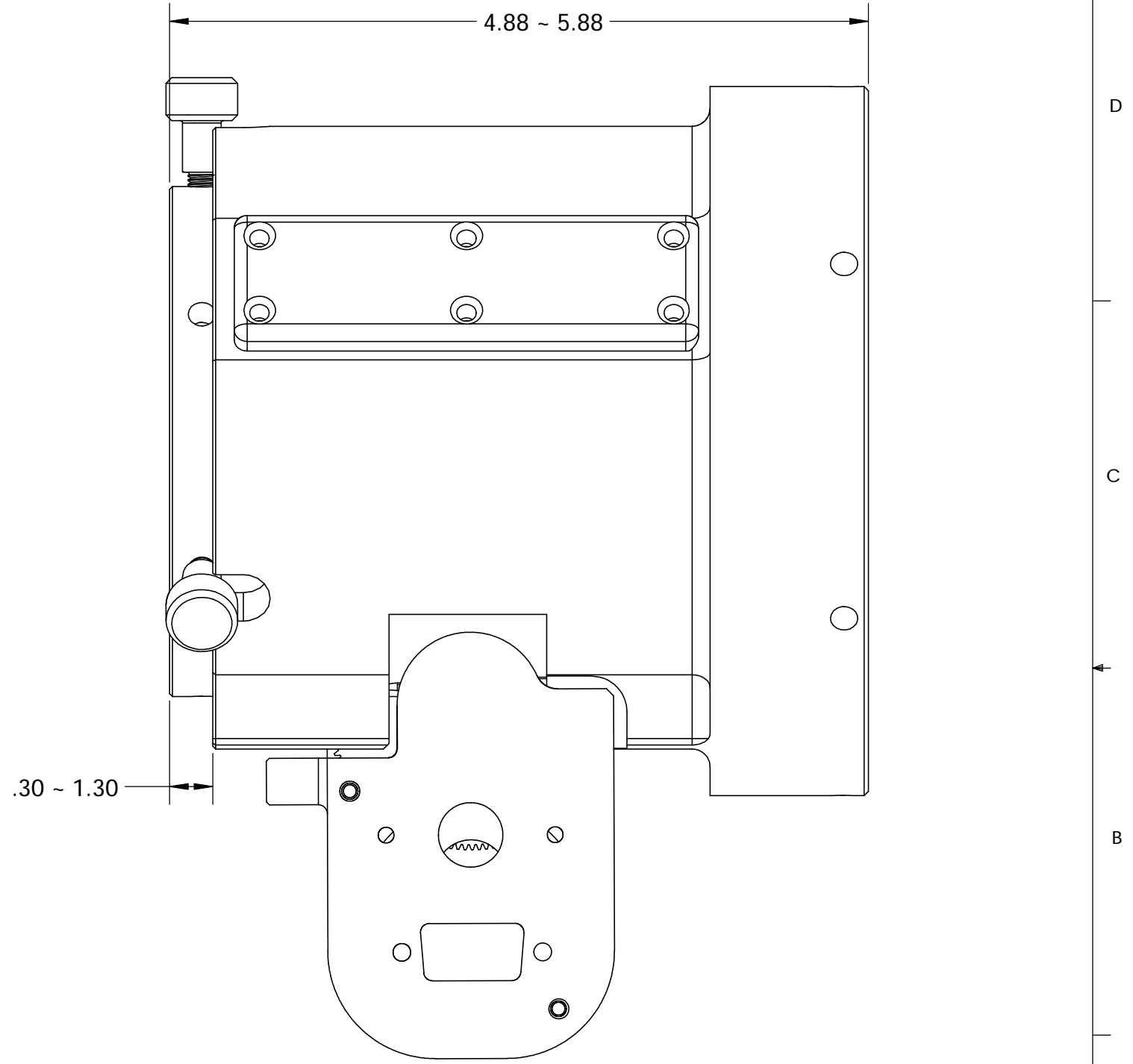
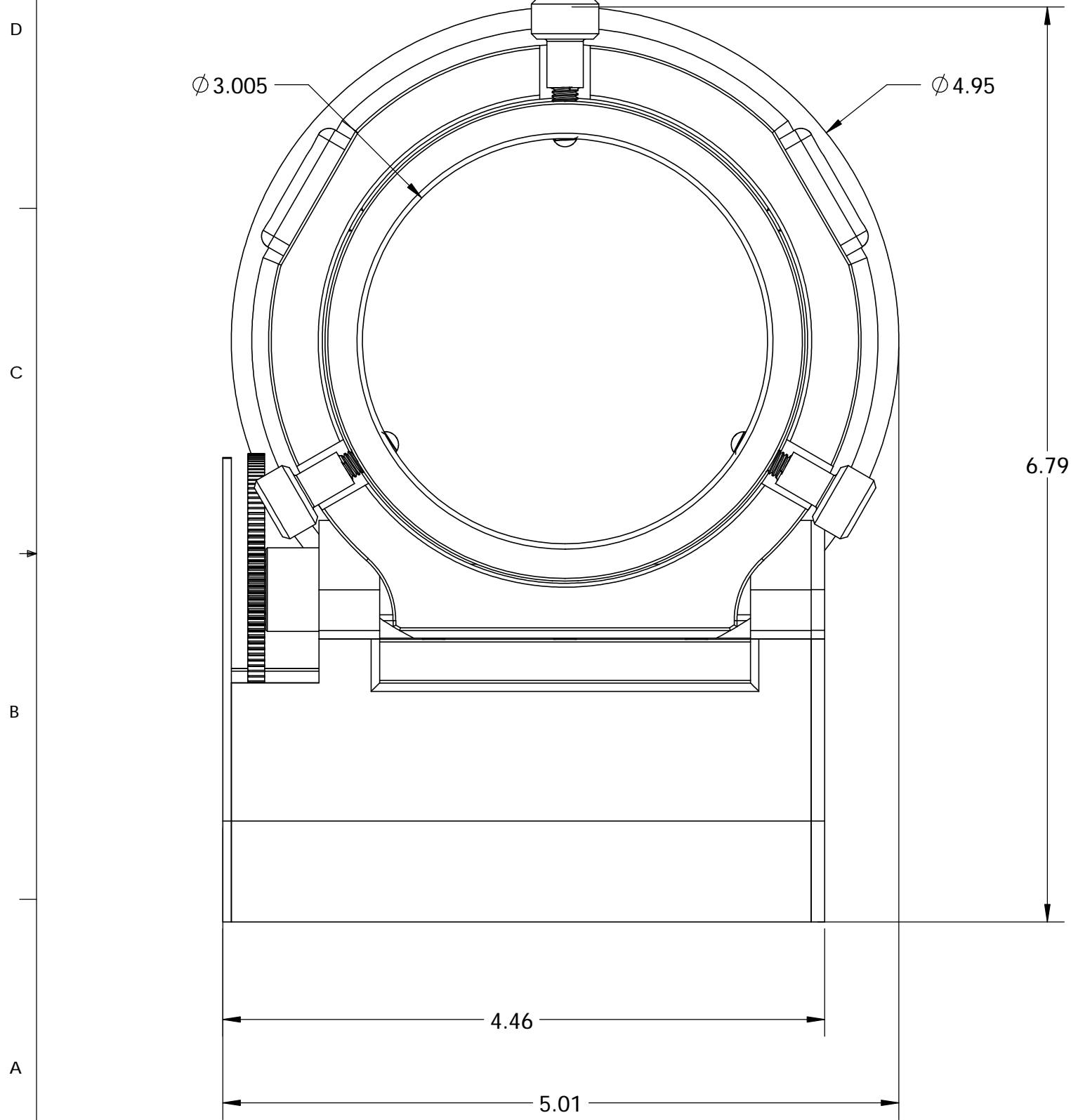


STK NO 17677



UNLESS OTHERWISE SPECIFIED: DIMENSIONS ARE IN INCHES TWO PLACE DECIMAL ±.007 THREE PLACE DECIMAL ±.003	DRAWN	NAME	DATE	<b>Optec Inc.</b>
	CHECKED	LD	08/19/11	
	ENG APPR.			
	MFG APPR.			
MATERIAL: N/A	CONTRACT			TITLE: <b>TCF-S3</b>
STOCK SIZE:	TCF-S3			
FINISH: SEE NOTES	TCF-S3			SIZE <b>B</b>
DO NOT SCALE DRAWING				DWG. NO. <b>N/A</b>
				SCALE: 1:1
				WEIGHT:
				SHEET 1 OF 1