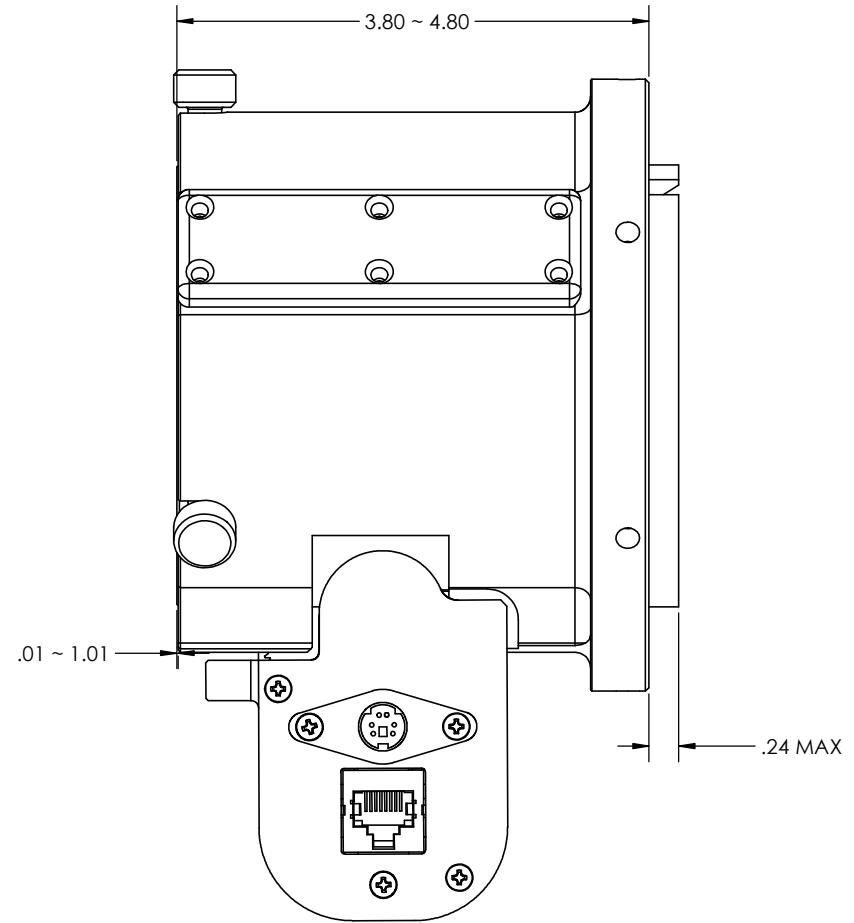
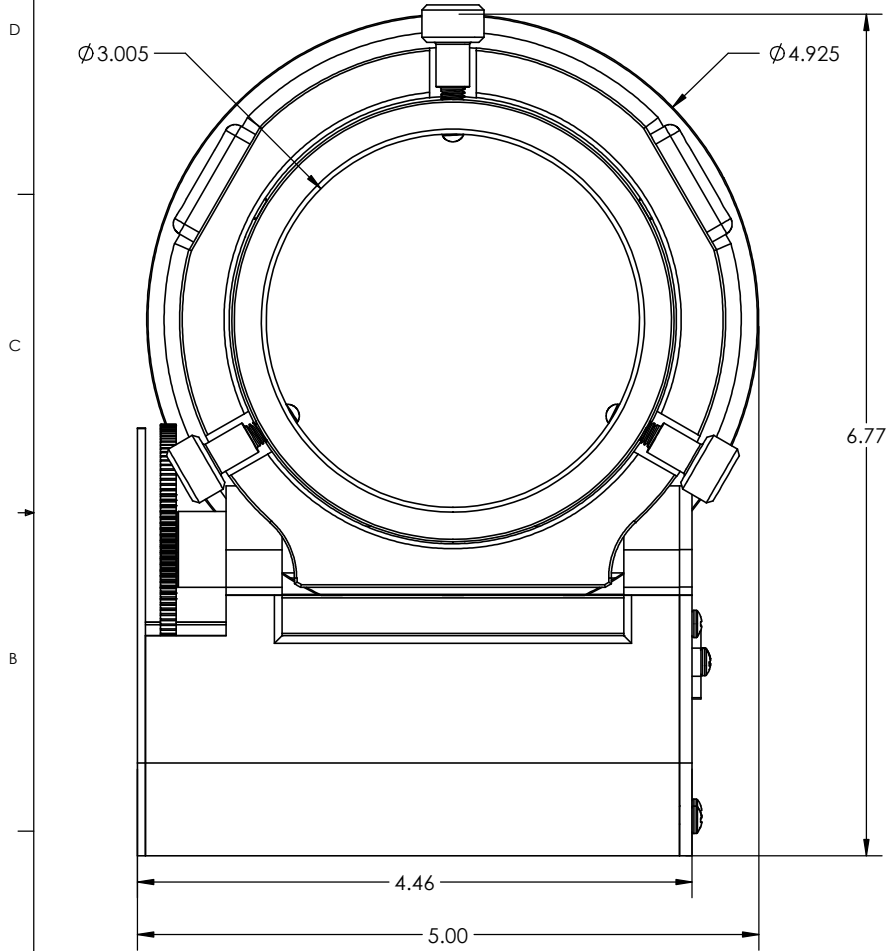
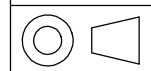


STK NO 19706



THIRD ANGLE PROJECTION



UNLESS OTHERWISE SPECIFIED: DIMENSIONS ARE IN INCHES TWO PLACE DECIMAL ±.007 THREE PLACE DECIMAL ±.003	DRAWN	NAME	DATE	Optec Inc.
	CHECKED	LD	08/15/17	
	ENG APPR.			
	MFG APPR.			
	Q.A.			
MATERIAL	CONTRACT			TITLE:
N/A	TCF-LYNX 3			TCF-LYNX 3
FINISH	SEE NOTES	TCF-LYNX 3		SIZE DWG. NO.
DO NOT SCALE DRAWING				B N/A
		SCALE: 1:1	WEIGHT:	SHEET 1 OF 1