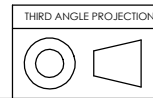
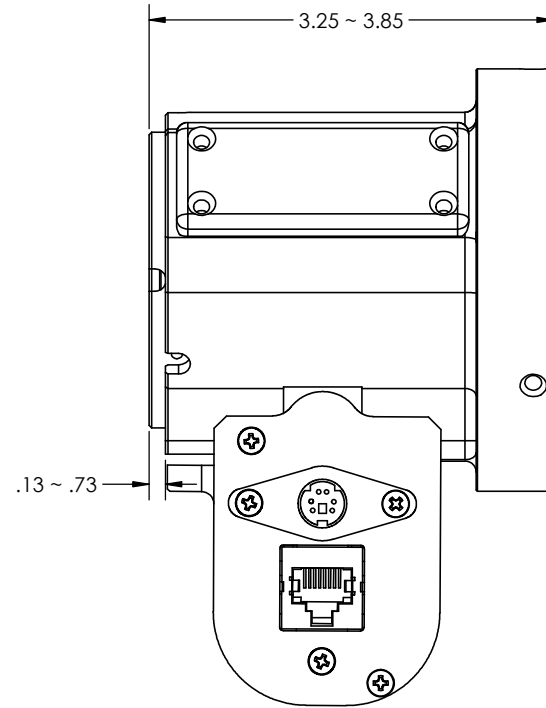
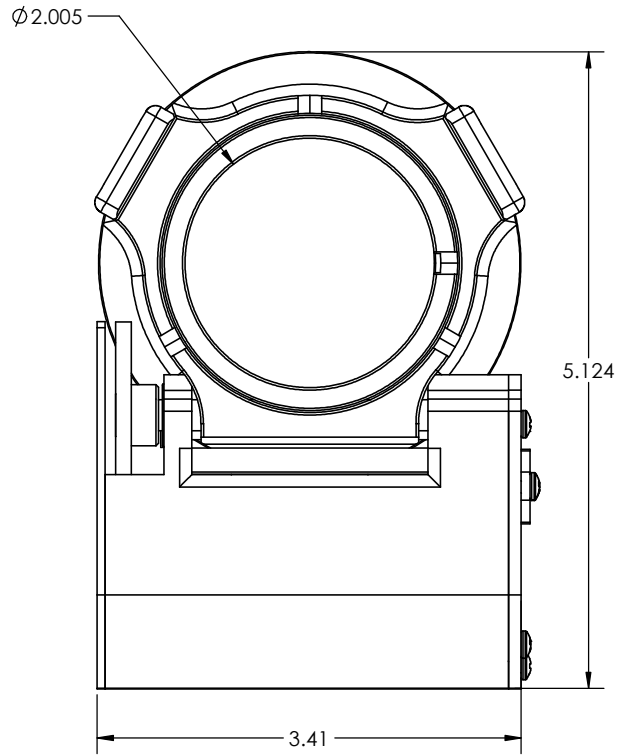


STK NO 19700



UNLESS OTHERWISE SPECIFIED: DIMENSIONS ARE IN INCHES TWO PLACE DECIMAL $\pm .007$ THREE PLACE DECIMAL $\pm .003$	DRAWN	NAME	DATE	Optec Inc.	
	CHECKED	LD	8/15/17		
	ENG APPR.				TITLE:
	MFG APPR.				TCF-LYNX
	Q.A.				SIZE
MATERIAL	N/A	CONTRACT		DWG. NO.	
FINISH	SEE NOTES	TCF-LYNX		N/A	
DO NOT SCALE DRAWING				SCALE: 1:1	
				WEIGHT:	
				SHEET 1 OF 1	