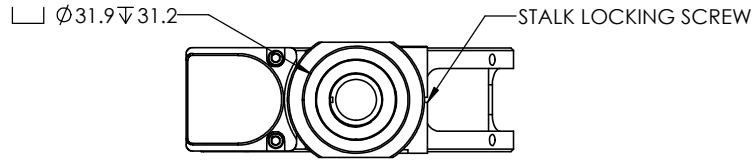


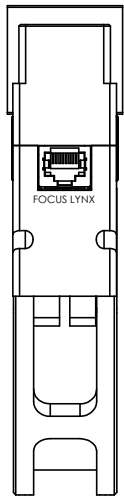
8 7 6 5 4 3 2 1

D



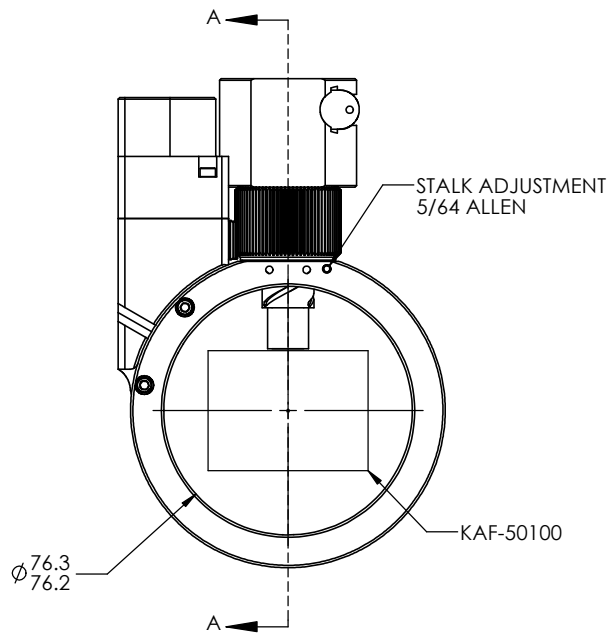
D

C



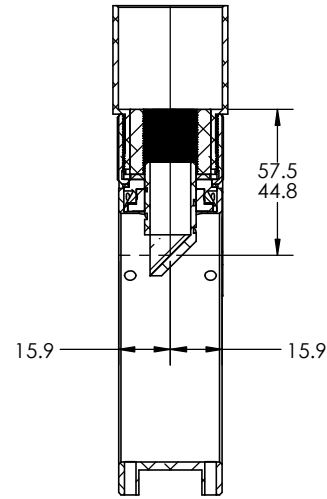
C

B

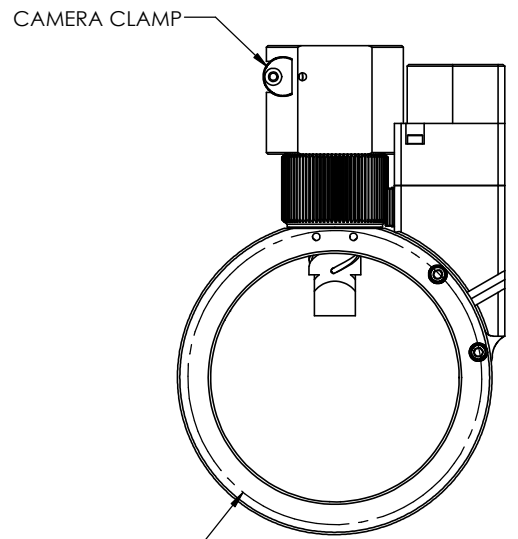


B

A



SECTION A-A



A

8 7 6 5 4 3 2 1

UNLESS OTHERWISE SPECIFIED: DIMENSIONS ARE IN INCHES TWO PLACE DECIMAL ±.007 THREE PLACE DECIMAL ±.003	DRAWN	NAME	DATE	Optec Inc.	
	CHECKED	LD	1/17/19		
	ENG APPR.				TITLE:
	MFG APPR.				OAG
	Q.A.				SIZE DWG. NO.
MATERIAL	CONTRACT				
N/A	OAG				
FINISH	SEE NOTES				
DO NOT SCALE DRAWING				SCALE: 2:3 WEIGHT: SHEET 1 OF 1	

