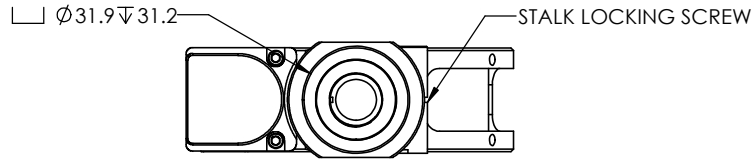


8 7 6 5 4 3 2 1

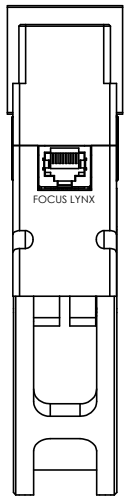
D

D



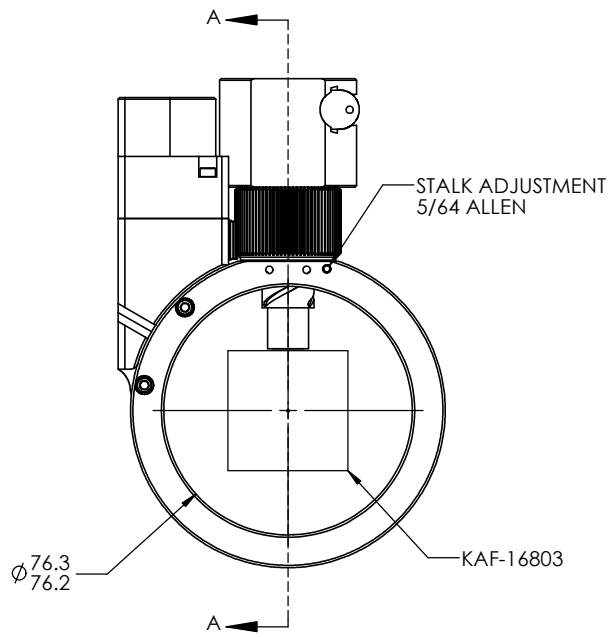
C

C



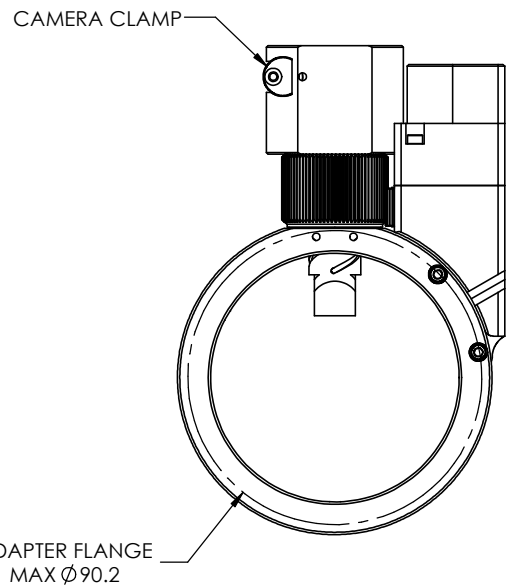
B

B

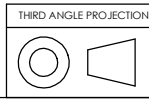


15.9 15.9

SECTION A-A



UNLESS OTHERWISE SPECIFIED: DIMENSIONS ARE IN INCHES TWO PLACE DECIMAL ±.007 THREE PLACE DECIMAL ±.003	DRAWN	NAME	DATE	Optec Inc.
	CHECKED	LD	1/17/19	
	ENG APPR.			
	MFG APPR.			
	Q.A.			
MATERIAL	CONTRACT			OAG
N/A	OAG			
FINISH	SEE NOTES			
DO NOT SCALE DRAWING				SCALE: 2:3
				WEIGHT:
				SHEET 1 OF 1



8 7 6 5 4 3 2 1

A

A