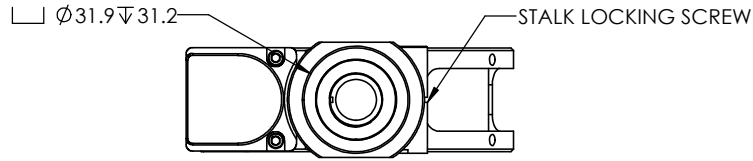


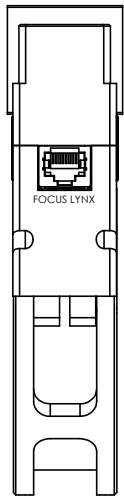
8 7 6 5 4 3 2 1

D



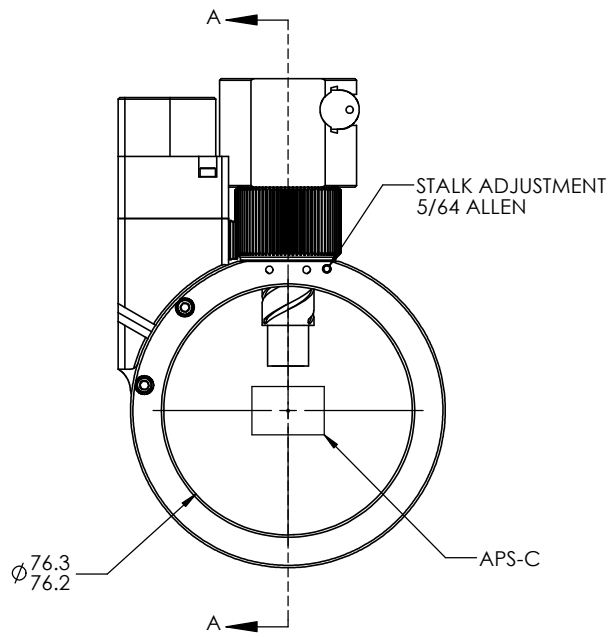
D

C



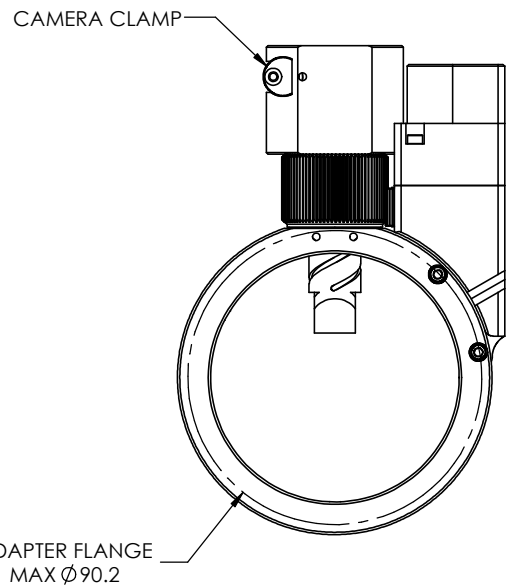
C

B



15.9 15.9

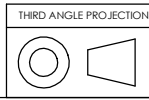
SECTION A-A



B

A

8 7 6 5 4 3 2 1



UNLESS OTHERWISE SPECIFIED: DIMENSIONS ARE IN INCHES TWO PLACE DECIMAL ±.007 THREE PLACE DECIMAL ±.003 MATERIAL N/A FINISH SEE NOTES DO NOT SCALE DRAWING	DRAWN	NAME	DATE	Optec Inc. TITLE: OAG SIZE B DWG. NO. SCALE: 2:3 WEIGHT: SHEET 1 OF 1
	CHECKED	LD	1/17/19	
	ENG APPR.			
	MFG APPR.			
	Q.A.			
	CONTRACT		OAG	

A