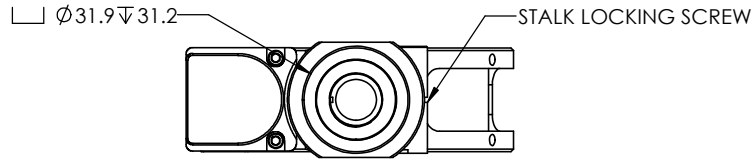


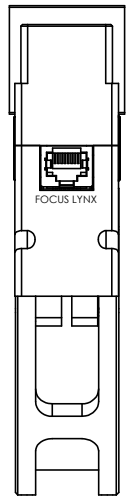
8 7 6 5 4 3 2 1

D



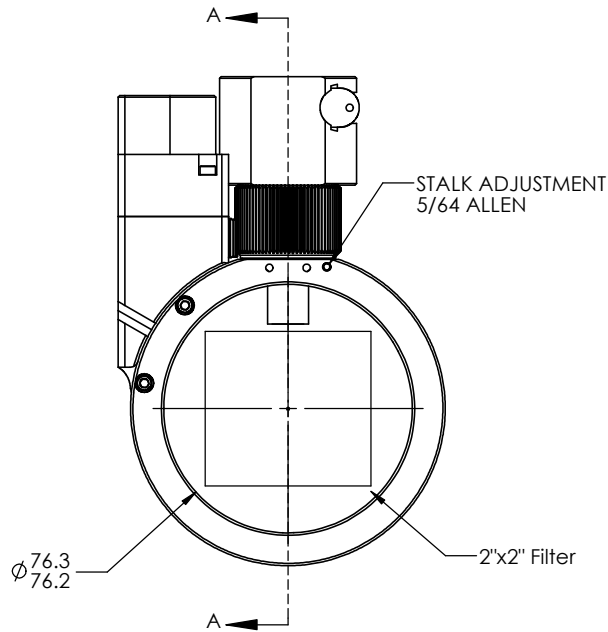
D

C



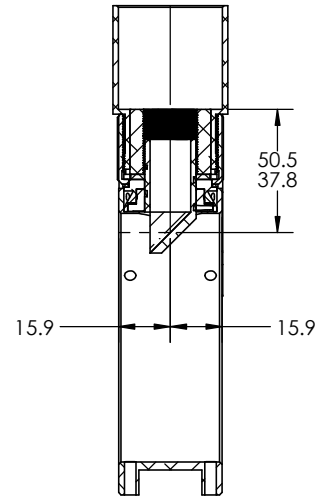
C

B

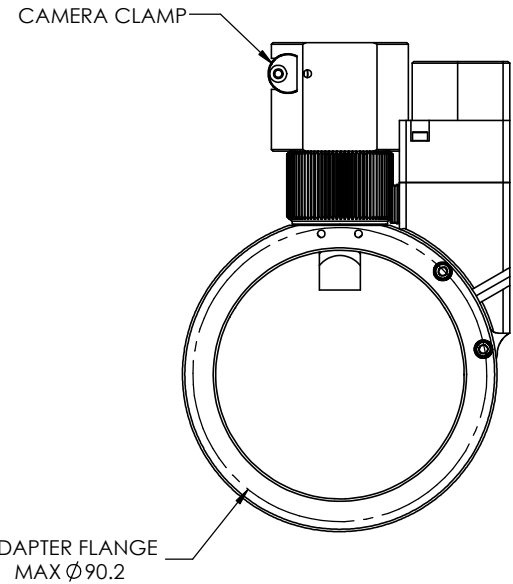


B

A



SECTION A-A



A

8 7 6 5 4 3 2 1

UNLESS OTHERWISE SPECIFIED: DIMENSIONS ARE IN INCHES TWO PLACE DECIMAL ±.007 THREE PLACE DECIMAL ±.003	DRAWN	NAME	DATE	<b>Optec Inc.</b>
	CHECKED	LD	1/17/19	
	ENG APPR.			
	MFG APPR.			
	Q.A.			
MATERIAL	CONTRACT			OAG
N/A	OAG			
FINISH	SEE NOTES			
DO NOT SCALE DRAWING				SCALE: 2:3
				WEIGHT:
				SHEET 1 OF 1

THIRD ANGLE PROJECTION

