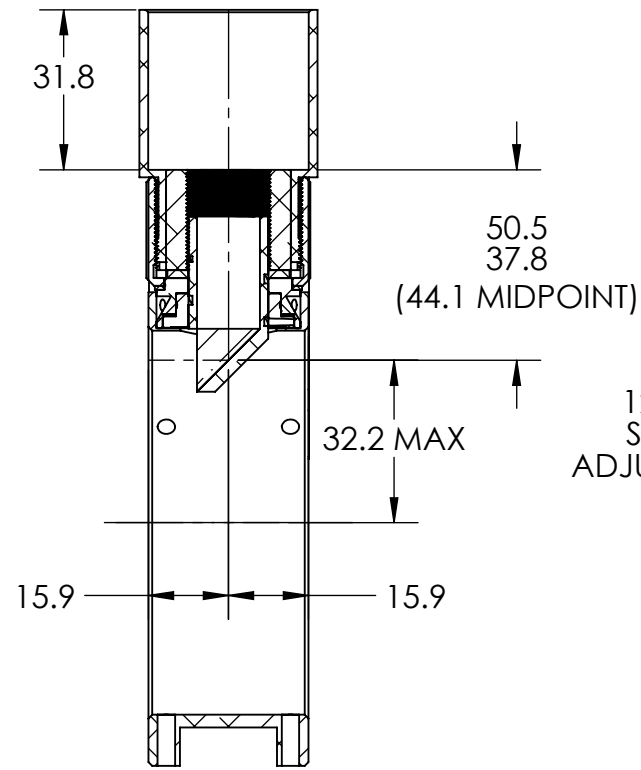
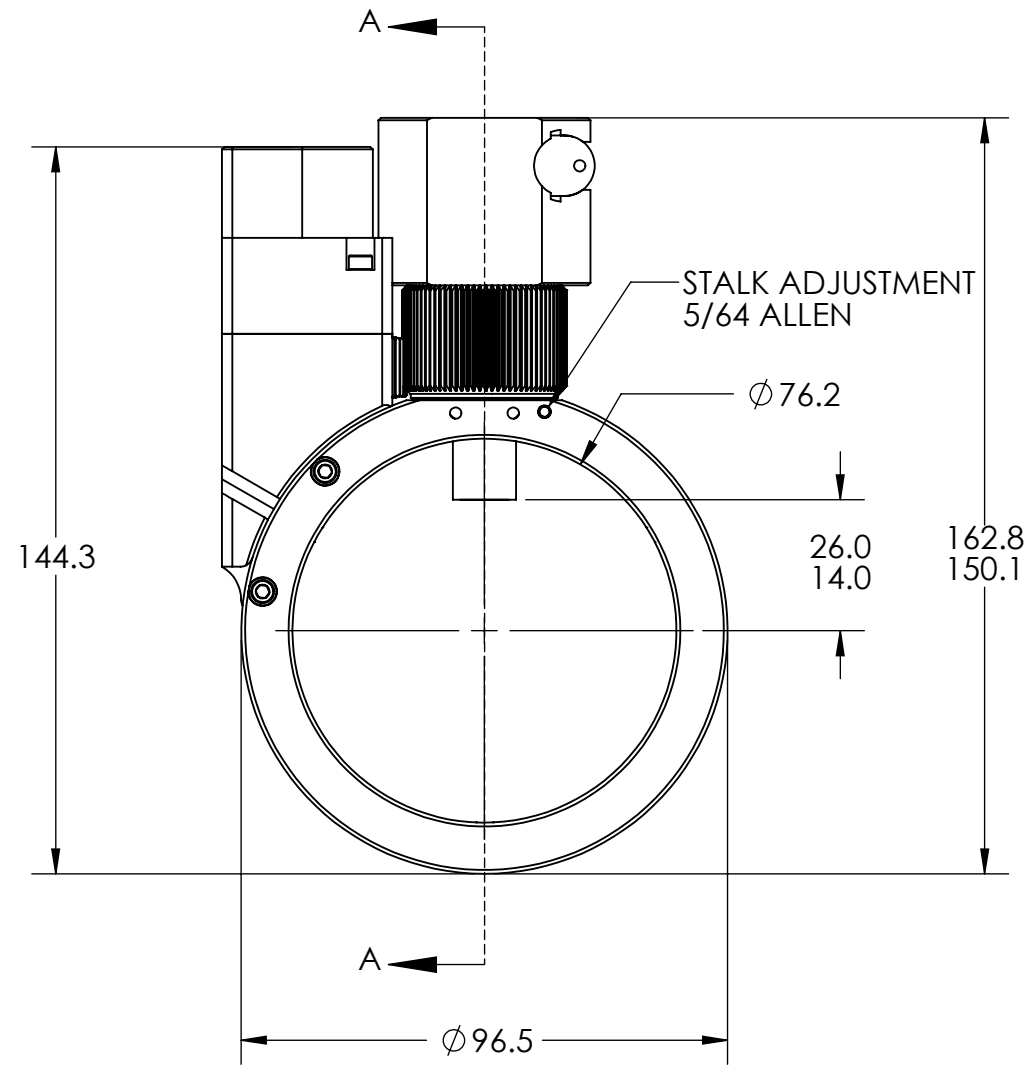
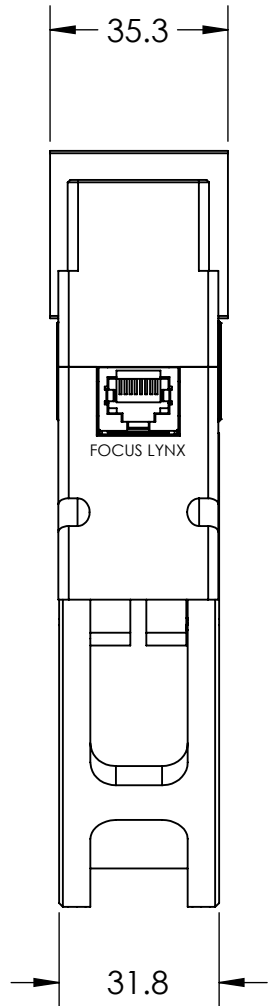
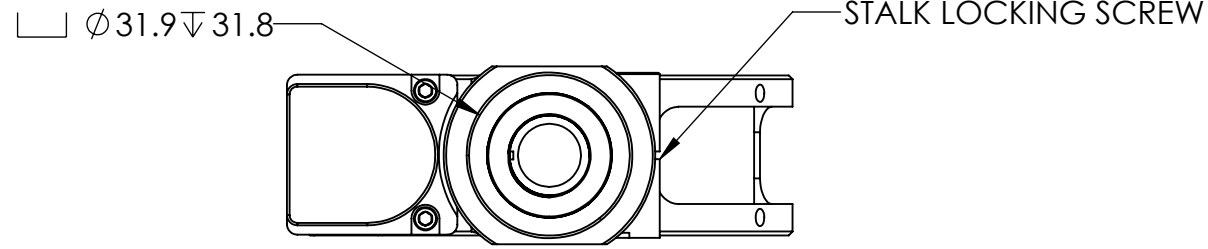
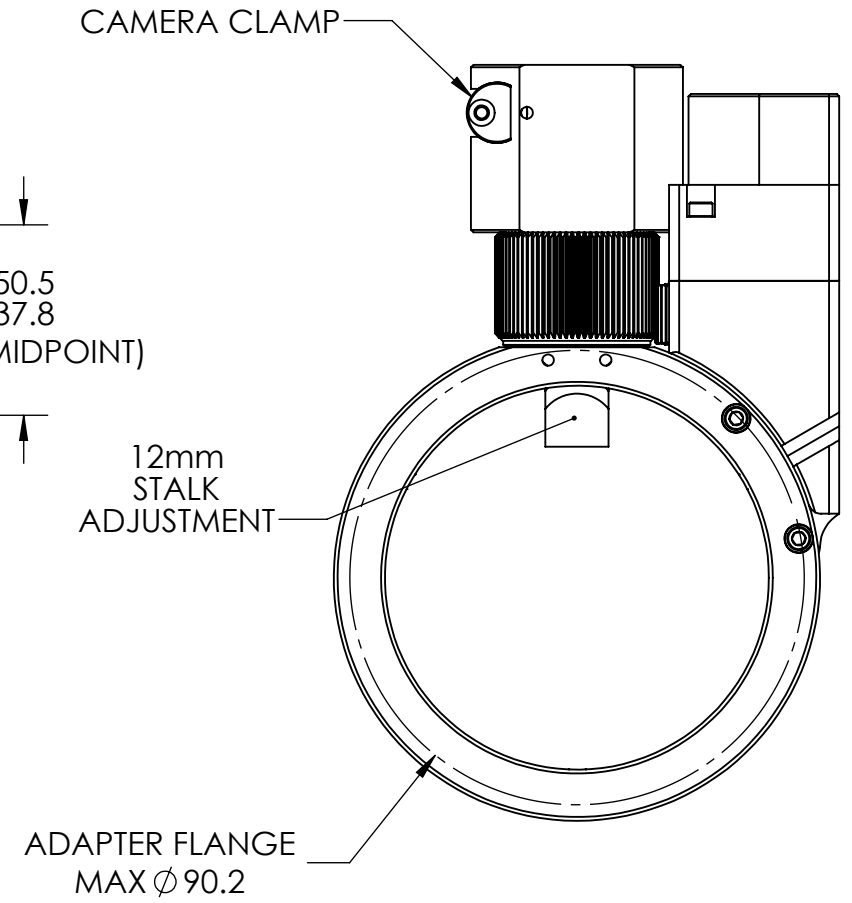


STOCK NO. 19340 - SAGITTA OFF-AXIS GUIDER



SECTION A-A



UNLESS OTHERWISE SPECIFIED: DIMENSIONS ARE IN INCHES TWO PLACE DECIMAL $\pm .007$ THREE PLACE DECIMAL $\pm .003$	DRAWN	NAME	DATE	Optec Inc.
	CHECKED	LD	1/17/19	
	ENG APPR.			
	MFG APPR.			
MATERIAL	N/A	CONTRACT		TITLE:
FINISH	SEE NOTES	OAG		OAG
DO NOT SCALE DRAWING				SIZE DWG. NO.
				B
		SCALE: 2:3	WEIGHT:	SHEET 1 OF 1

