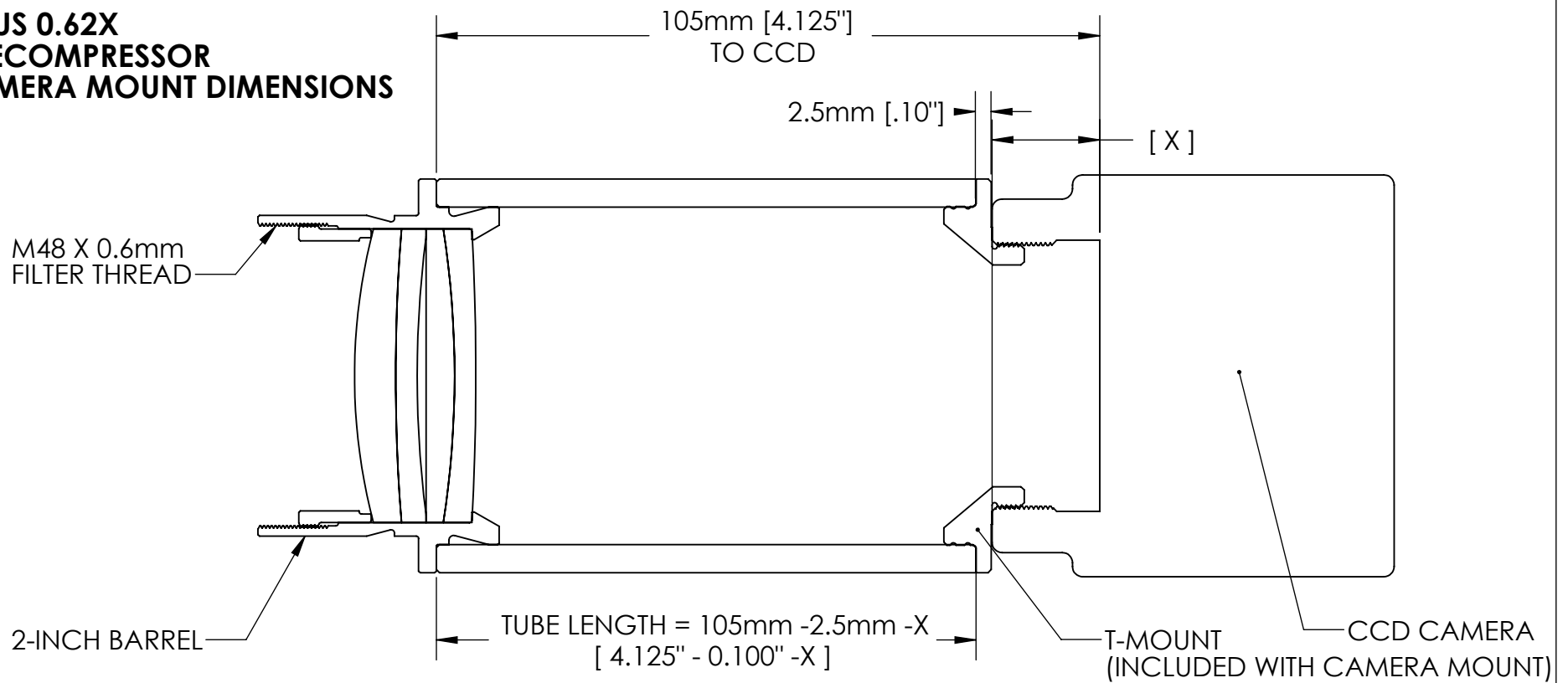


**LEPUS 0.62X
TELECOMPRESSOR
CAMERA MOUNT DIMENSIONS**



THE OPTICAL BACK-FOCUS FOR THE LEPUS 0.62X TELECOMPRESSOR IS 100MM ON-AXIS OR 105MM MEASURED FROM THE FLANGE.

THE LENGTH OF THE CAMERA ADAPTER TUBE IN MM CAN BE CALCULATED BY SUBTRACTING THE OPTICAL DISTANCE TO THE CCD CHIP AND THE THICKNESS OF THE MATING MECHANICAL ADAPTER (I.E. T-MOUNT). THIS VALUE IS USUALLY 1/10" OR 2.5MM UNLESS A BAYONET MOUNT IS USED. IN THIS CASE, THE MECHANICAL THICKNESS OF THE BAYONET MUST BE ALSO BE SUBTRACTED FROM 105mm.

FOR EXAMPLE, THE CAMERA ADAPTER FOR THE QHY8 CAMERA WITH AN OPTICAL DEPTH OF 21MM WOULD BE $105 - 2.5 - 21 = 81.5$. ROUND TO 82MM. THE T-MOUNT STOCK NUMBER IS #19392 SO THE APPROPRIATE ADAPTER WOULD BE #19392-82.

CONTACT OPTEC FOR A LIST OF CURRENT ADAPTERS.

PROPRIETARY AND CONFIDENTIAL
THE INFORMATION CONTAINED IN THIS DRAWING IS THE SOLE PROPERTY OF OPTEC, INC. ANY REPRODUCTION IN PART OR AS A WHOLE WITHOUT THE WRITTEN PERMISSION OF OPTEC, INC. IS STRICTLY PROHIBITED.

UNLESS OTHERWISE SPECIFIED:		<i>Optec, Inc.</i>		
[DIMENSIONS IN MM] DIMENSIONS ARE IN INCHES TOLERANCES: TWO PLACE DECIMAL ±.007 THREE PLACE DECIMAL ±.003		TITLE: LEPUS 0.62X		
MATERIAL N/A	FINISH N/A	SIZE A	DWG. NO. N/A	REV
DO NOT SCALE DRAWING		SCALE: 1:1	WEIGHT:	SHEET 1 OF 1