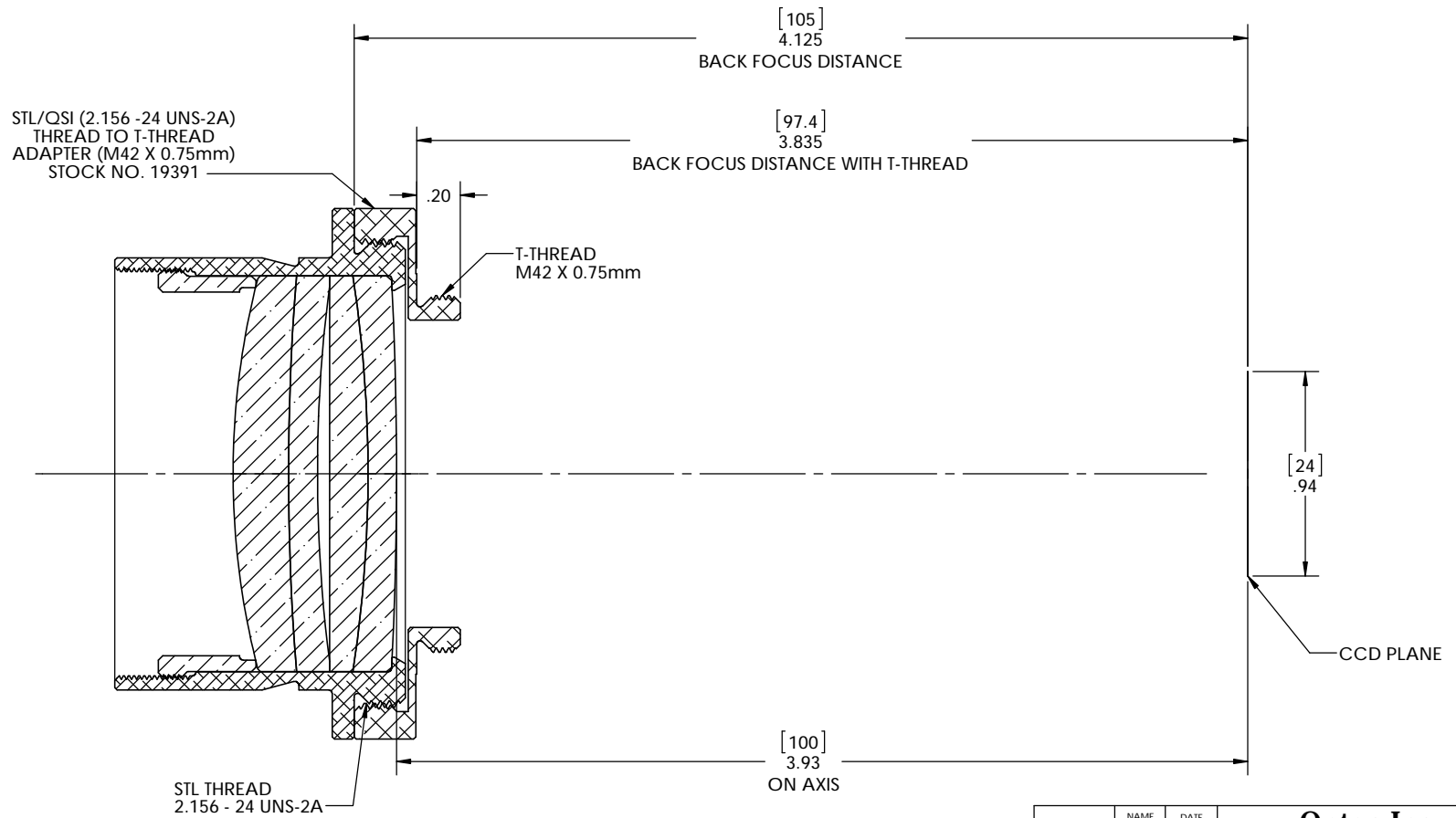


STOCK NO. 19405 - LEPUS STL BODY
WITH STOCK NO. 19391 - STL TO T-THREAD ADAPTER



UNLESS OTHERWISE SPECIFIED: DIMENSIONS ARE IN INCHES TOLERANCES: FRACTIONAL ± ANGULAR: MACH ± BEND ± TWO PLACE DECIMAL ±.007 THREE PLACE DECIMAL ±.003	DRAWN	NAME	DATE	Optec Inc.
	CHECKED	LD	3/12/13	
	ENG APPR.			
	MFG APPR.			
	G.A.			TITLE: LEPUS - STL WITH T-ADAPTER
THIRD ANGLE PROJECTION	MATERIAL	CONTRACT		SIZE DWG. NO.
FINISH		LEPUS		B
DO NOT SCALE DRAWING		SCALE: 2:1	WEIGHT:	SHEET 1 OF 1