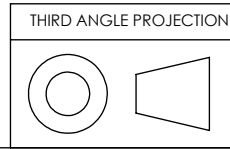
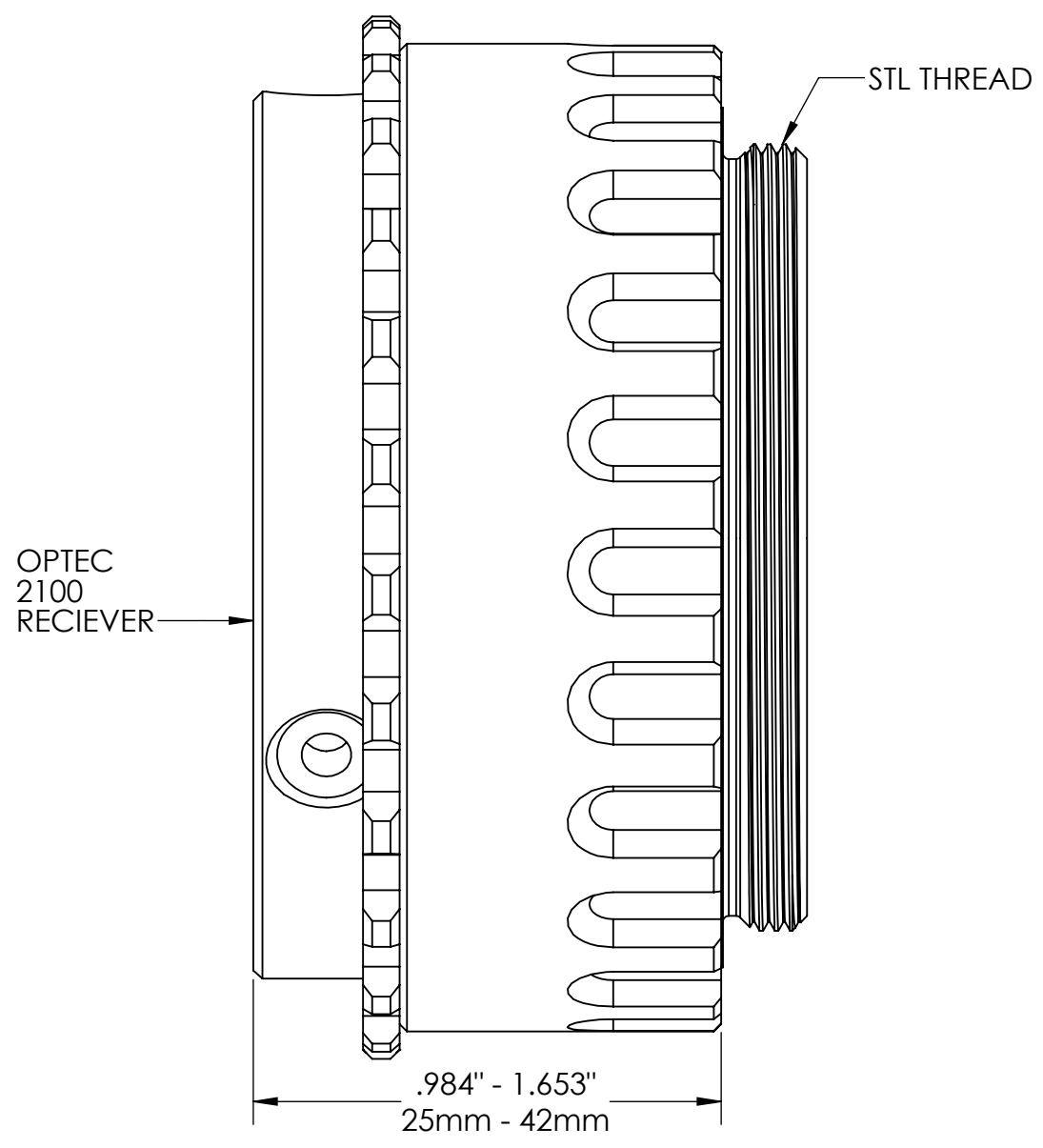


8 7 6 5 4 3 2 1

D
C
B
A

D
C
B
A



UNLESS OTHERWISE SPECIFIED: DIMENSIONS ARE IN INCHES TWO PLACE DECIMAL ±.007 THREE PLACE DECIMAL ±.003	DRAWN	NAME	DATE	Optec Inc.
	CHECKED	BC	5/16/17	
	ENG APPR.			
	MFG APPR.			
MATERIAL	CONTRACT			TITLE: NEXTGEN & LEPUS
N/A	VLA			
FINISH	SEE NOTES			SIZE B DWG. NO. 19393
DO NOT SCALE DRAWING				SCALE: 1:2 WEIGHT: SHEET 1 OF 1

8 7 6 5 4 3 2 1