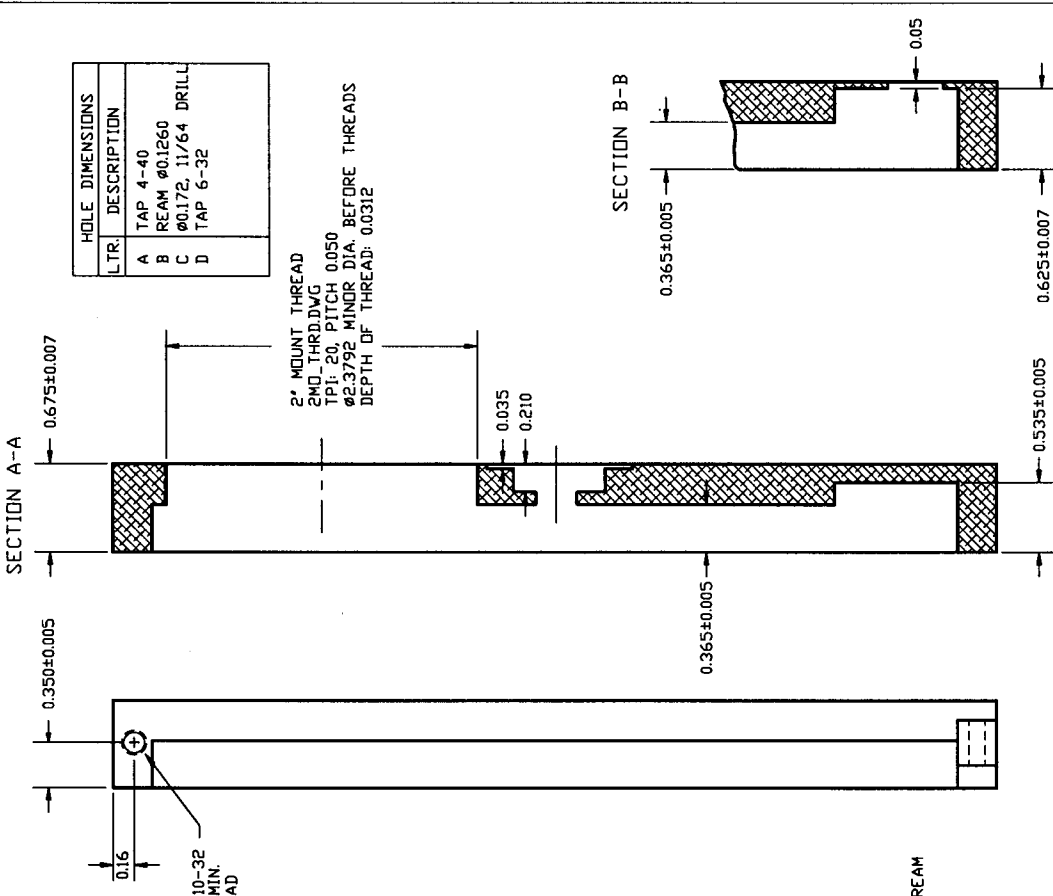
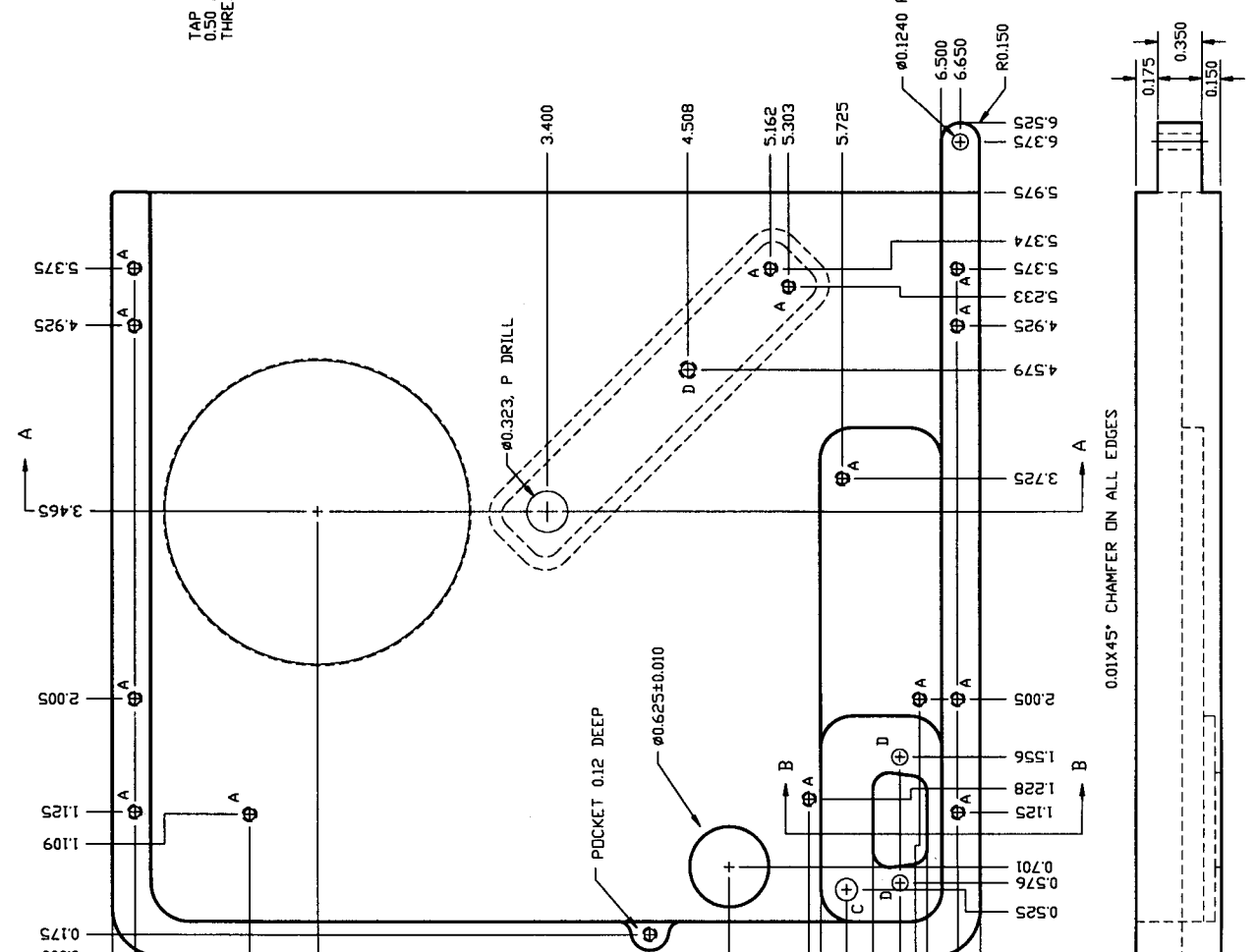


PN 4057



HOLE DIMENSIONS	
LTR.	DESCRIPTION
A	TAP 4-40
B	REAM Ø0.1260
C	Ø0.172, 11/64 DRILL
D	TAP 6-32

2" MOUNT THREAD  
 2ND THRD.DWG  
 TPI: 20, PITCH 0.050  
 Ø2.3792 MINOR DIA. BEFORE THREADS  
 DEPTH OF THREAD: 0.0312

TOLERANCE .XX ± 007 .XXX ± 003	CONTRACT IFW	OPTEC, Inc.
MATERIAL 6061 T651 PLATE	REVISION 4/28/2001 7/3/2001 8/3/2001 9/10/2001	FILTER HOUSING
FINISH BRIGHT DIP BLACK ANODIZE		SCALE: 1X
		NO: 17-06402