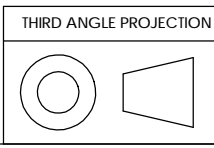
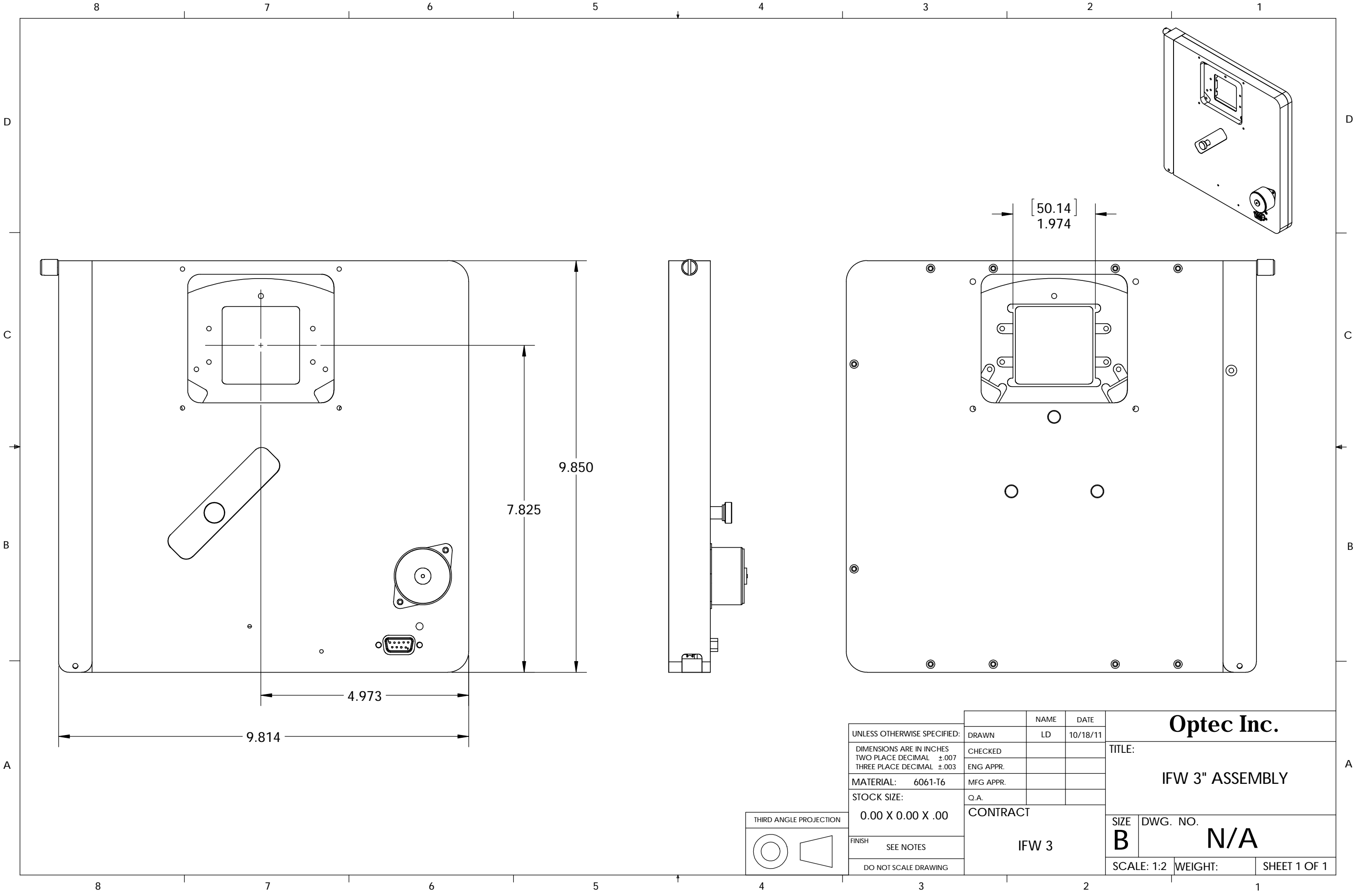


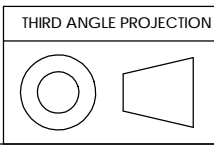
UNLESS OTHERWISE SPECIFIED: DIMENSIONS ARE IN INCHES TWO PLACE DECIMAL $\pm .007$ THREE PLACE DECIMAL $\pm .003$	DRAWN	NAME	DATE
	CHECKED	LD	10/18/11
	ENG APPR.		
	MFG APPR.		
MATERIAL: 6061-T6	Q.A.		
STOCK SIZE: 0.00 X 0.00 X .00	CONTRACT		
FINISH SEE NOTES	IFW 3		
DO NOT SCALE DRAWING			

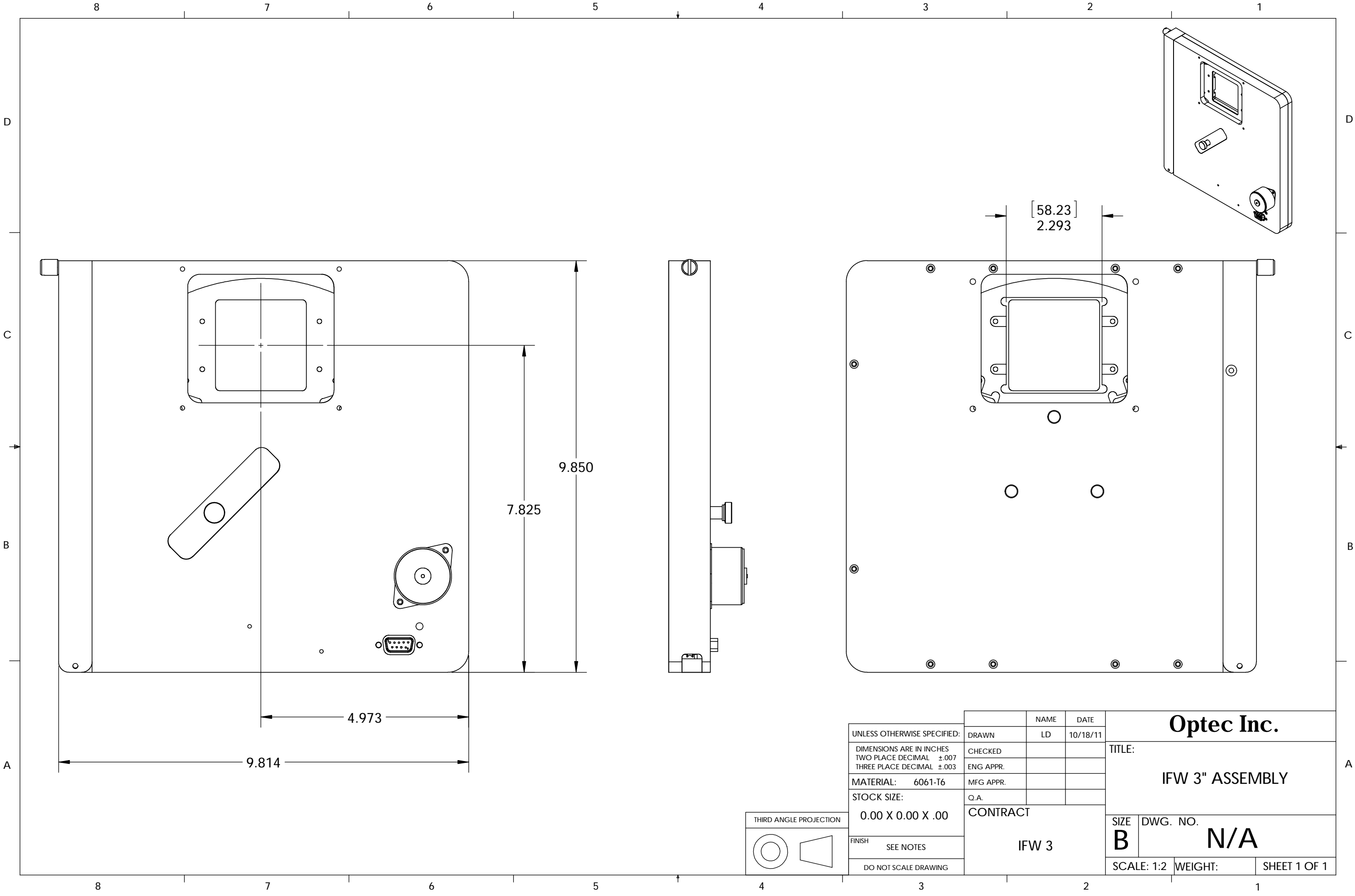


Optec Inc.		
TITLE: IFW 3" ASSEMBLY		
SIZE B	DWG. NO. N/A	
SCALE: 1:2	WEIGHT:	SHEET 1 OF 1



UNLESS OTHERWISE SPECIFIED: DIMENSIONS ARE IN INCHES TWO PLACE DECIMAL ±.007 THREE PLACE DECIMAL ±.003	DRAWN	NAME	DATE	Optec Inc.
	CHECKED	LD	10/18/11	
	ENG APPR.			
	MFG APPR.			
MATERIAL: 6061-T6				TITLE: IFW 3" ASSEMBLY
STOCK SIZE: 0.00 X 0.00 X .00	CONTRACT			
FINISH SEE NOTES	IFW 3			SIZE B DWG. NO. N/A
DO NOT SCALE DRAWING				SCALE: 1:2 WEIGHT: SHEET 1 OF 1





UNLESS OTHERWISE SPECIFIED: DIMENSIONS ARE IN INCHES TWO PLACE DECIMAL ±.007 THREE PLACE DECIMAL ±.003	DRAWN	NAME	DATE	Optec Inc.
	CHECKED	LD	10/18/11	
	ENG APPR.			
	MFG APPR.			
MATERIAL: 6061-T6				TITLE: IFW 3" ASSEMBLY
STOCK SIZE: 0.00 X 0.00 X .00	CONTRACT			
FINISH SEE NOTES	IFW 3			SIZE B DWG. NO. N/A
DO NOT SCALE DRAWING				SCALE: 1:2 WEIGHT: SHEET 1 OF 1

