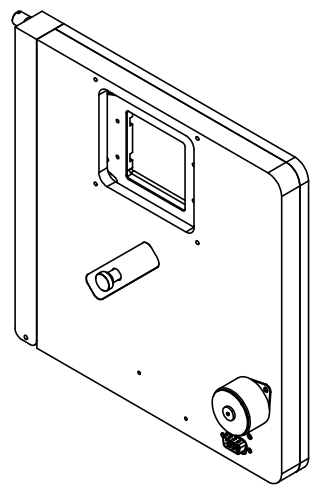
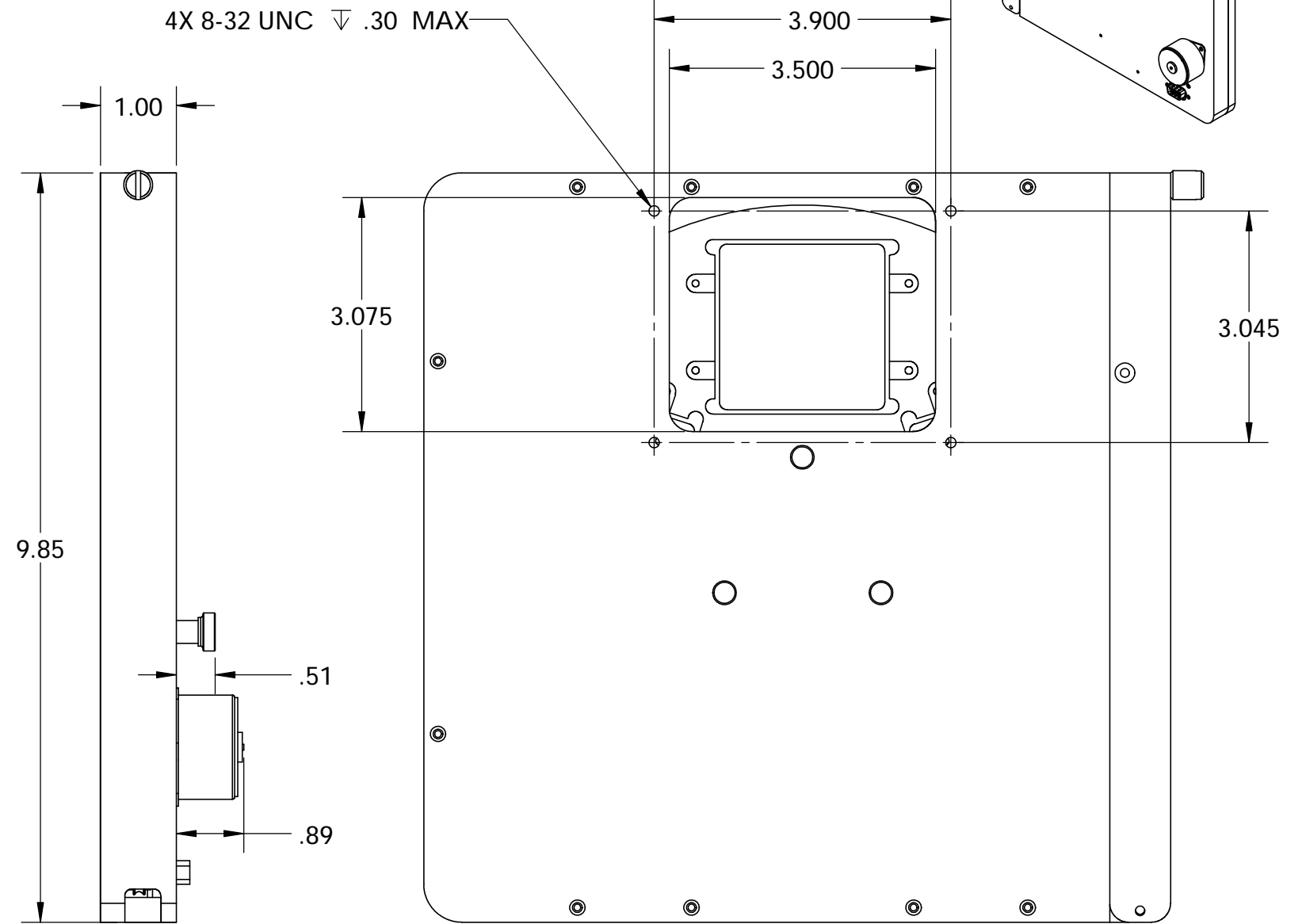
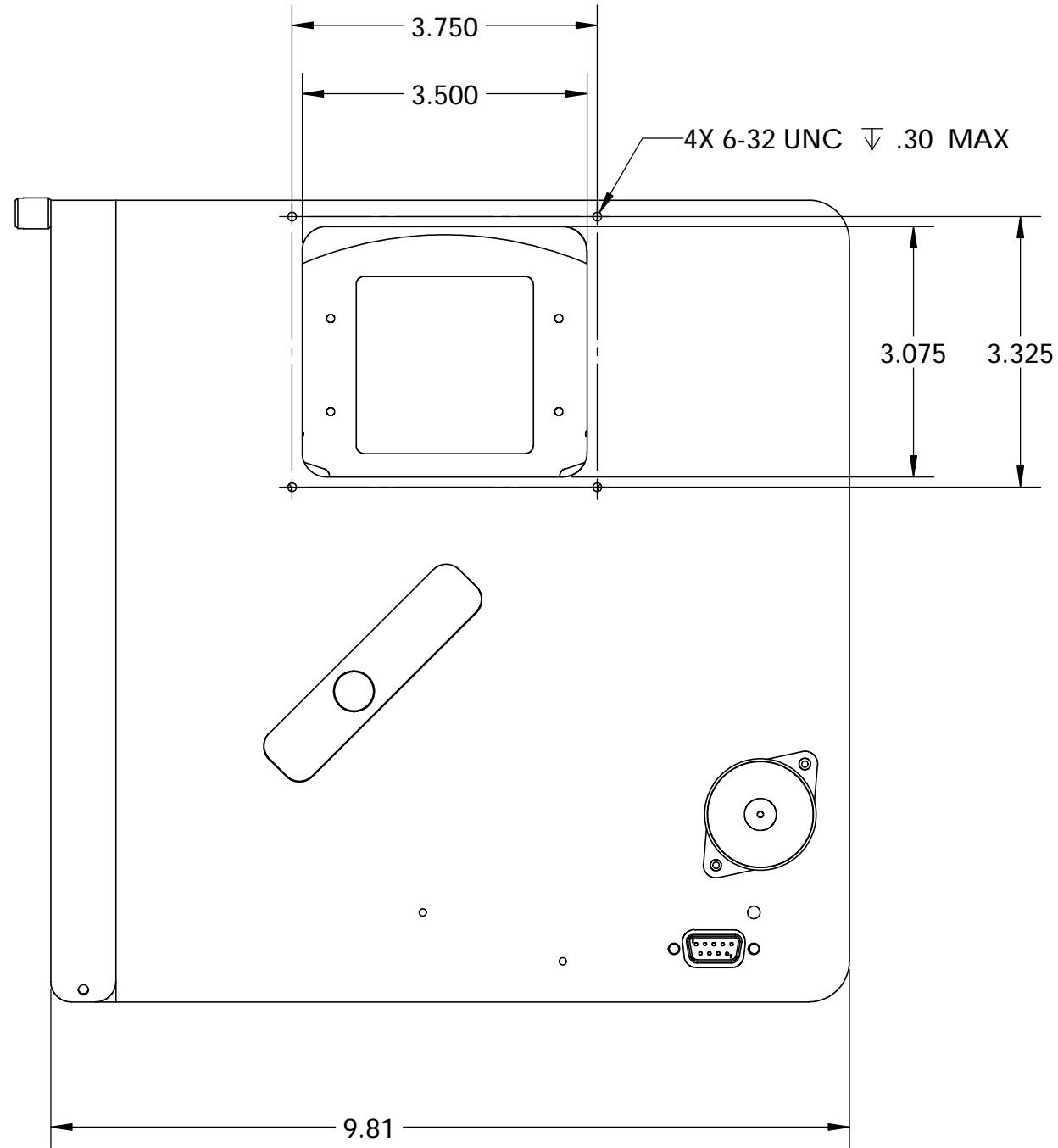


STK NO 17360

D  
C  
B  
A

D  
C  
B  
A



UNLESS OTHERWISE SPECIFIED: DIMENSIONS ARE IN INCHES TWO PLACE DECIMAL $\pm$ .007 THREE PLACE DECIMAL $\pm$ .003 MATERIAL: 6061-T6 STOCK SIZE: 0.00 X 0.00 X .00 FINISH: SEE NOTES DO NOT SCALE DRAWING	DRAWN	NAME	DATE	<b>Optec Inc.</b> TITLE: IFW 3" ASSEMBLY SIZE DWG. NO. <b>B N/A</b> SCALE: 1:2 WEIGHT: SHEET 1 OF 1
	CHECKED	LD	10/18/11	
	ENG APPR.			
	MFG APPR.			
	Q.A.			
	CONTRACT			
	IFW 3			

