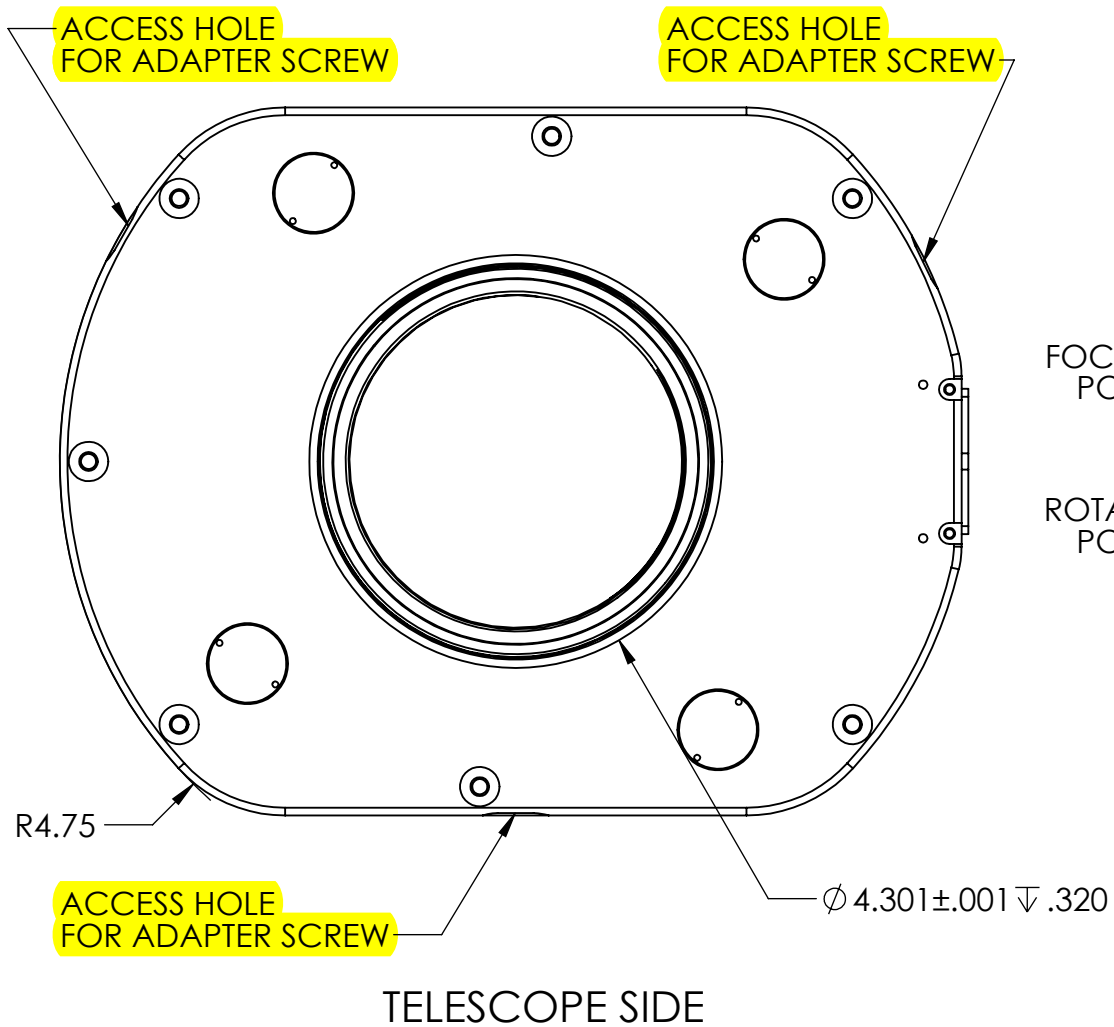


STOCK NO. 19750

D
C
B
A



SHOWN AT MIDPOINT

$[71.1 \pm 6.4]$
 $2.80 \pm .25$

WITH
STK NO 19830
(DSI ADAPTER)

$[68.6 \pm 6.4]$
 $2.70 \pm .25$

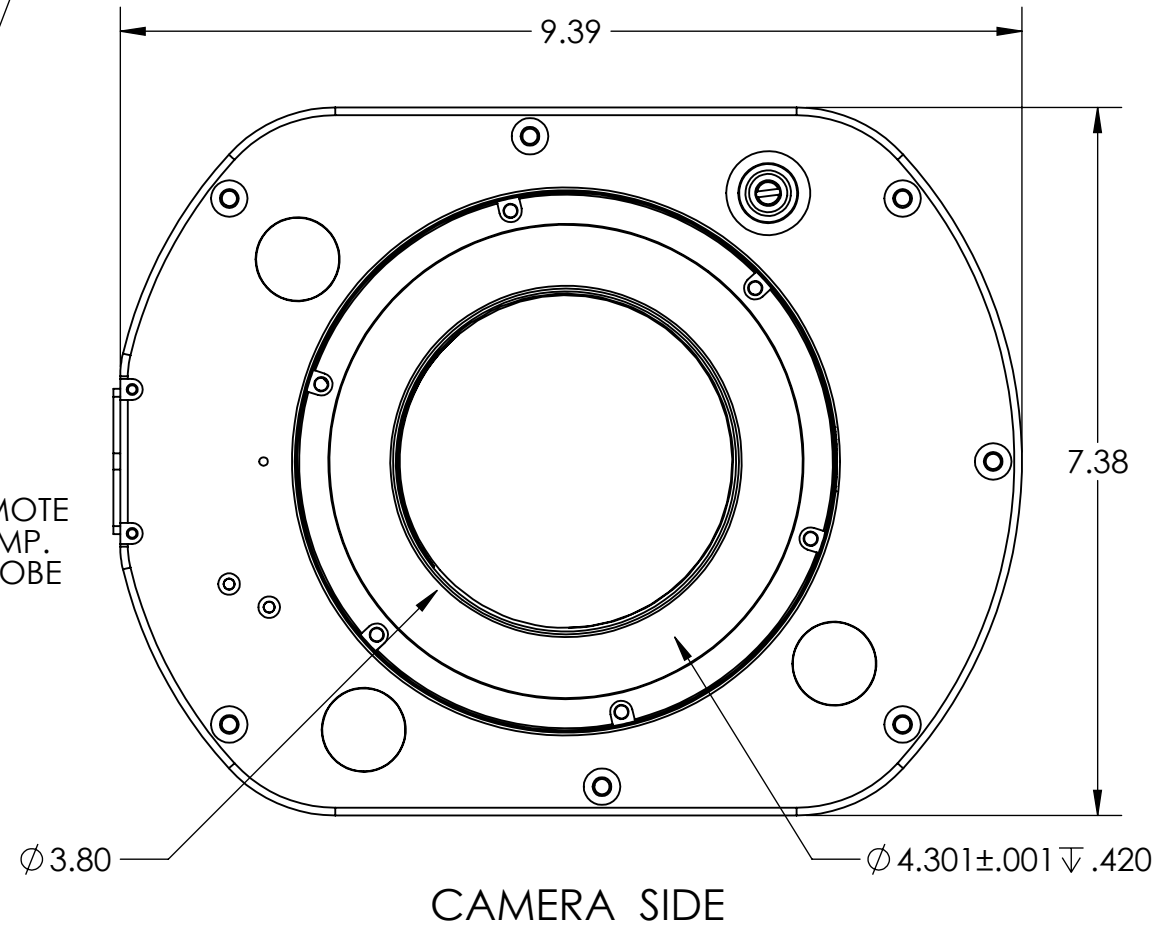
FOCUSER
PORT

ROTATOR
PORT

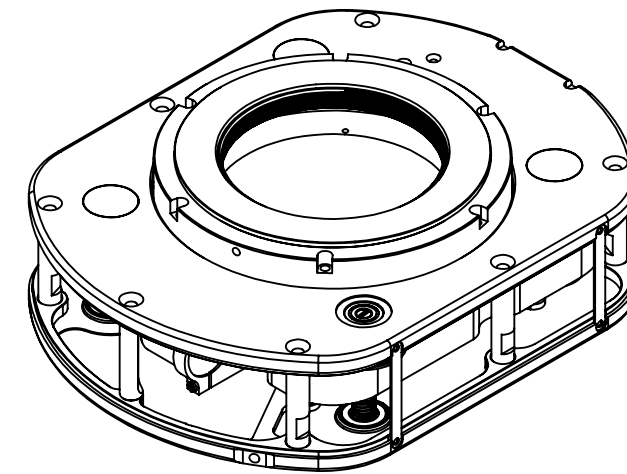
REMOTE
TEMP.
PROBE

$[55.6]$
 2.19

STOCK NO 19830
3.50-24 UNS-2B
(DSI THREAD ADAPTER)
INCLUDED WITH GEMINI

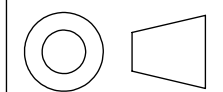


MOVE DRAWTUBE FULLY OUT TO ACCESS 3 SETSCREWS
TO SECURE CAMERA SIDE ADAPTER IN PLACE.



WEIGHT: 6lb 3oz (2.8kg)

THIRD ANGLE PROJECTION



UNLESS OTHERWISE SPECIFIED: DIMENSIONS ARE IN INCHES TWO PLACE DECIMAL ±.007 THREE PLACE DECIMAL ±.003	DRAWN	NAME	DATE	Optec Inc.
	CHECKED	LD	11/11/15	
	ENG APPR.			
	MFG APPR.			
MATERIAL	N/A	CONTRACT		TITLE: GEMINI
FINISH	N/A	GEMINI		SIZE DWG. NO. B
DO NOT SCALE DRAWING				SCALE: 1:2 WEIGHT: SHEET 1 OF 1

8 7 6 5 4 3 2 1