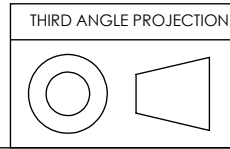
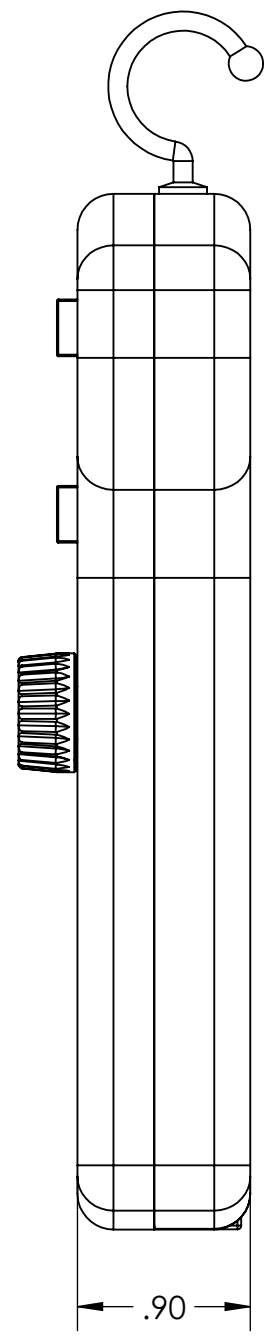
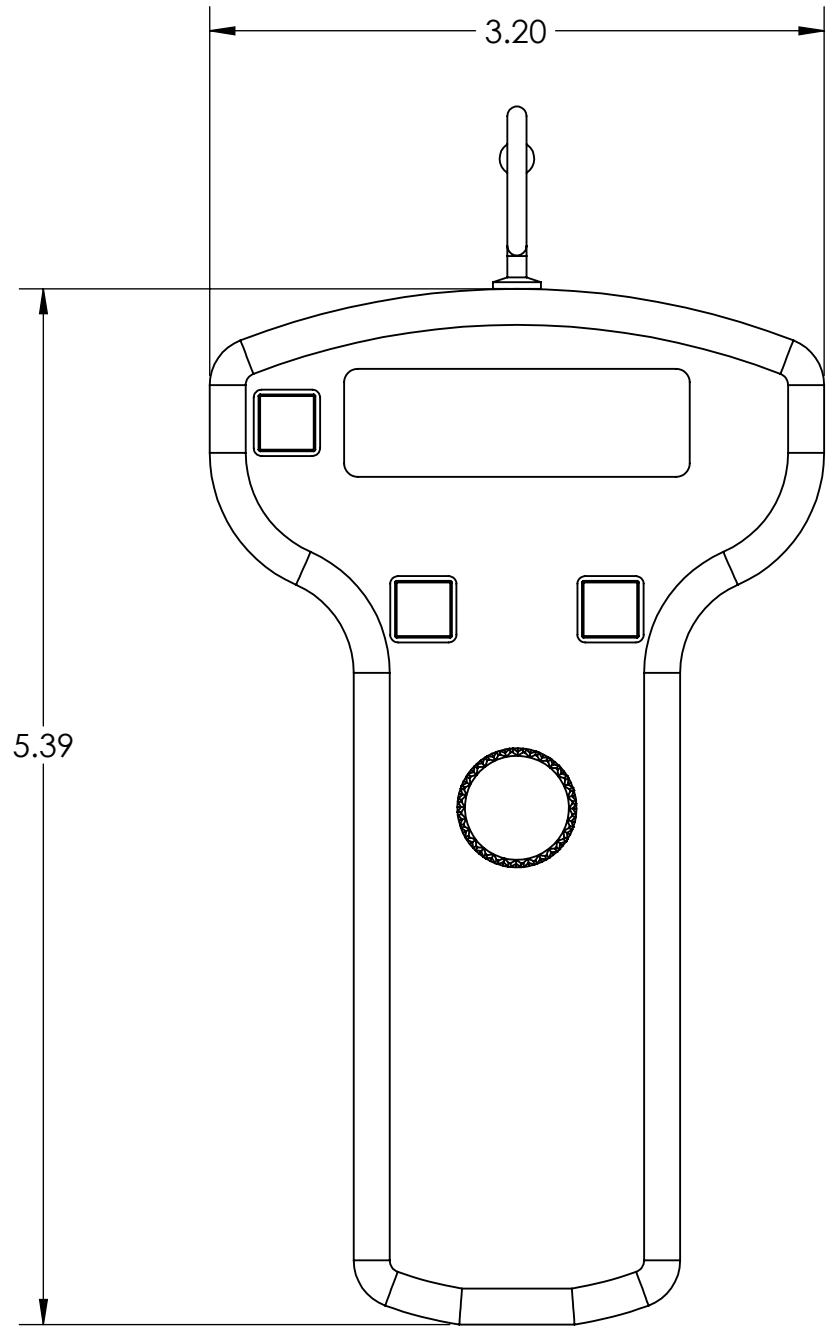


STK NO 19695



UNLESS OTHERWISE SPECIFIED:  
 DIMENSIONS ARE IN INCHES  
 TWO PLACE DECIMAL ±.007  
 THREE PLACE DECIMAL ±.003

MATERIAL

FINISH

DO NOT SCALE DRAWING

DRAWN	NAME	DATE
LD		5/22/14
CHECKED		
ENG APPR.		
MFG APPR.		
Q.A.		
CONTRACT		
FOCUS LYNX		

<b>Optec Inc.</b>		
TITLE:		
HAND CONTROLLER		
SIZE	DWG. NO.	
<b>B</b>		
SCALE: 1:1	WEIGHT:	SHEET 1 OF 1