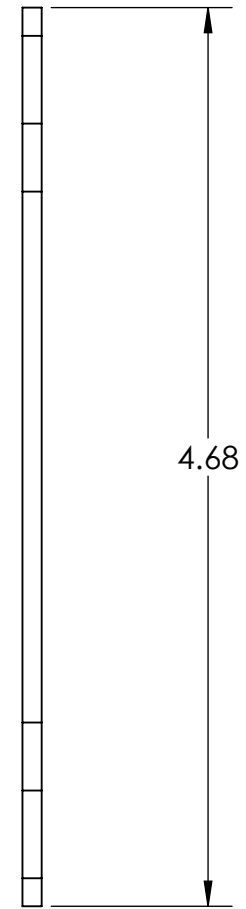
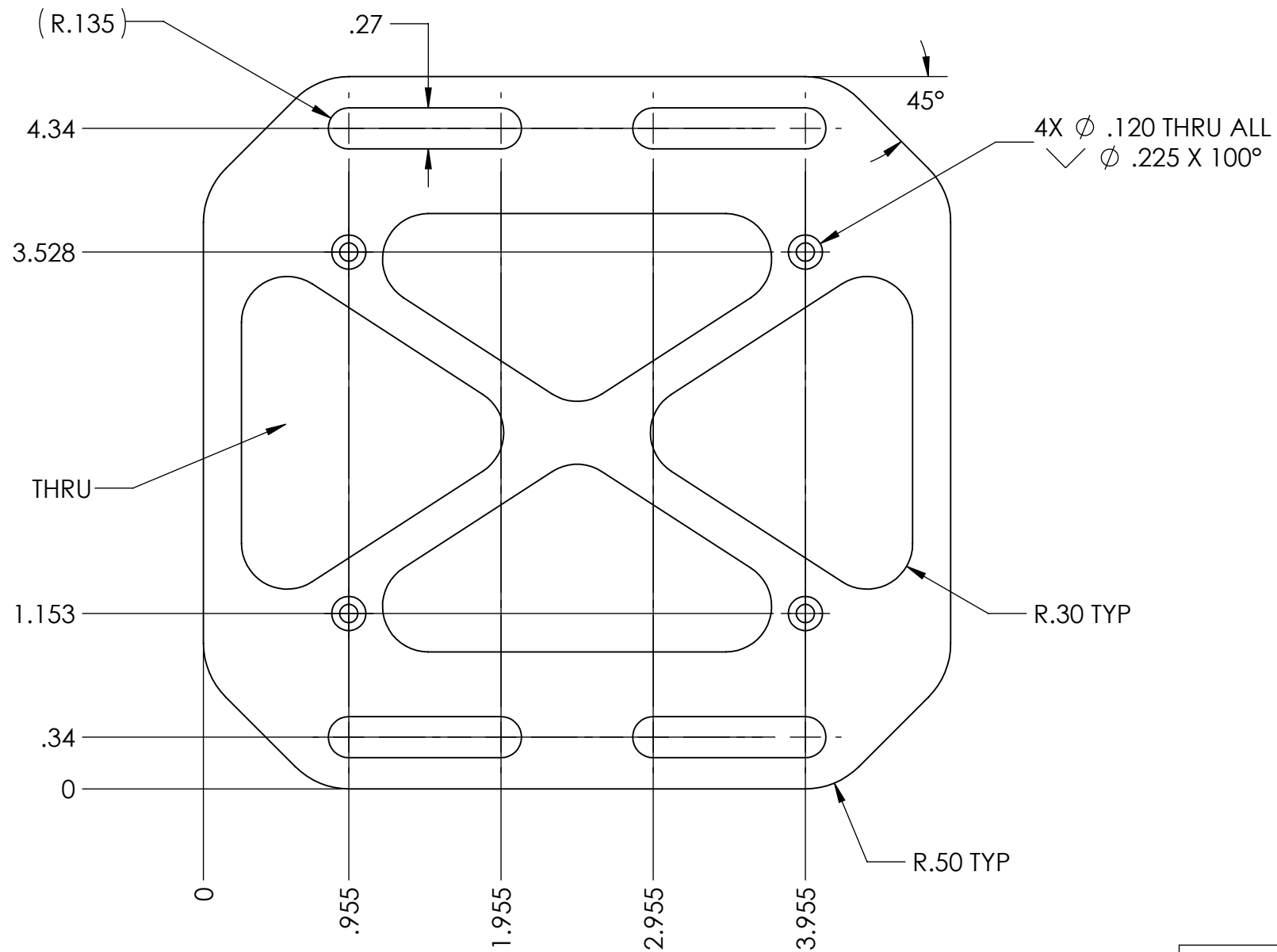
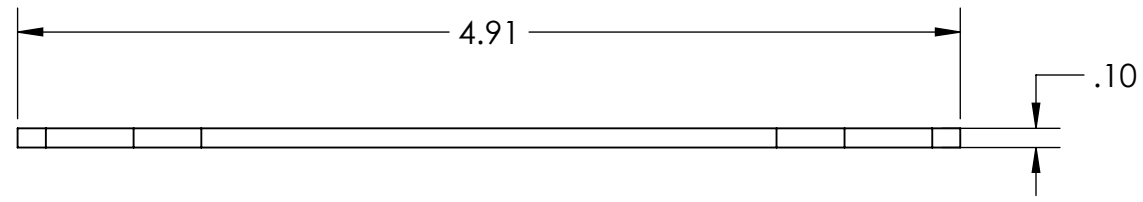
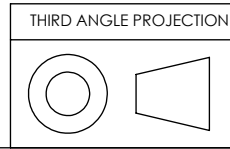


PN 5312
STK NO 19691



UNLESS OTHERWISE SPECIFIED: DIMENSIONS ARE IN INCHES TOLERANCES: FRACTIONAL ± ANGULAR: MACH ± BEND ± TWO PLACE DECIMAL ±.007 THREE PLACE DECIMAL ±.003	DRAWN	LD	06/27/11	Optec Inc.		
	CHECKED					TITLE: MOUNTING BRACKET
	ENG APPR.			CONTRACT FOCUS LYNX	SIZE	
	MFG APPR.				B	19-06881
	Q.A.			SCALE: 1:1	WEIGHT:	SHEET 1 OF 1

REVISIONS				
ZONE	REV.	DESCRIPTION	DATE	APPROVED
8				
7				
6				
5				



THIRD ANGLE PROJECTION
MATERIAL 6061-T6
FINISH SEE NOTES
DO NOT SCALE DRAWING