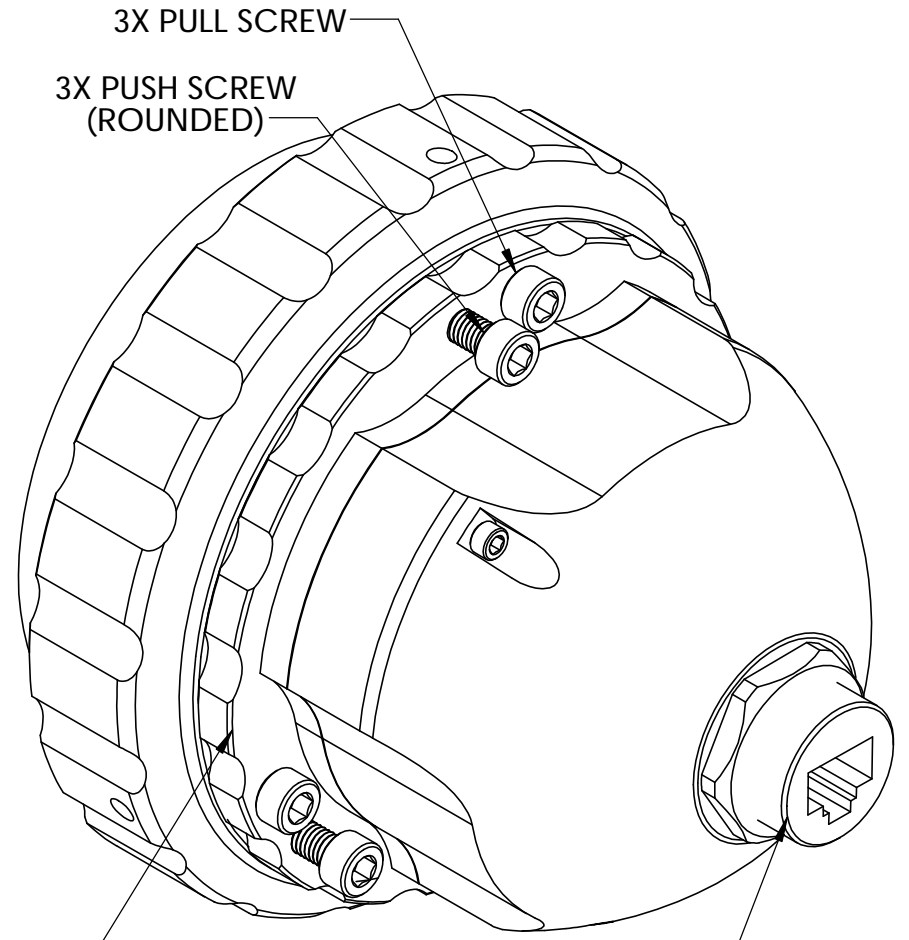


C14 SECONDARY MIRROR

CELESTRON C14  
CORRECTOR THREAD ADAPTER



3X PULL SCREW

3X PUSH SCREW  
(ROUNDED)

FOCUSER BODY

POWER/COMMUNICATION PORT

PROPRIETARY AND CONFIDENTIAL  
THE INFORMATION CONTAINED IN THIS  
DRAWING IS THE SOLE PROPERTY OF  
OPTEC INC. ANY REPRODUCTION  
IN PART OR AS A WHOLE WITHOUT THE  
WRITTEN PERMISSION OF OPTEC INC IS  
PROHIBITED.

	NAME	DATE
DRAWN	LD	11/14/11
CHECKED		
ENG APPR.		
MFG APPR.		
Q.A.		

TITLE:

**FAST FOCUS C14  
OVERVIEW**

SIZE	DWG. NO.	REV
<b>A</b>	<b>N/A</b>	
SCALE: 1:1	WEIGHT:	SHEET 1 OF 1