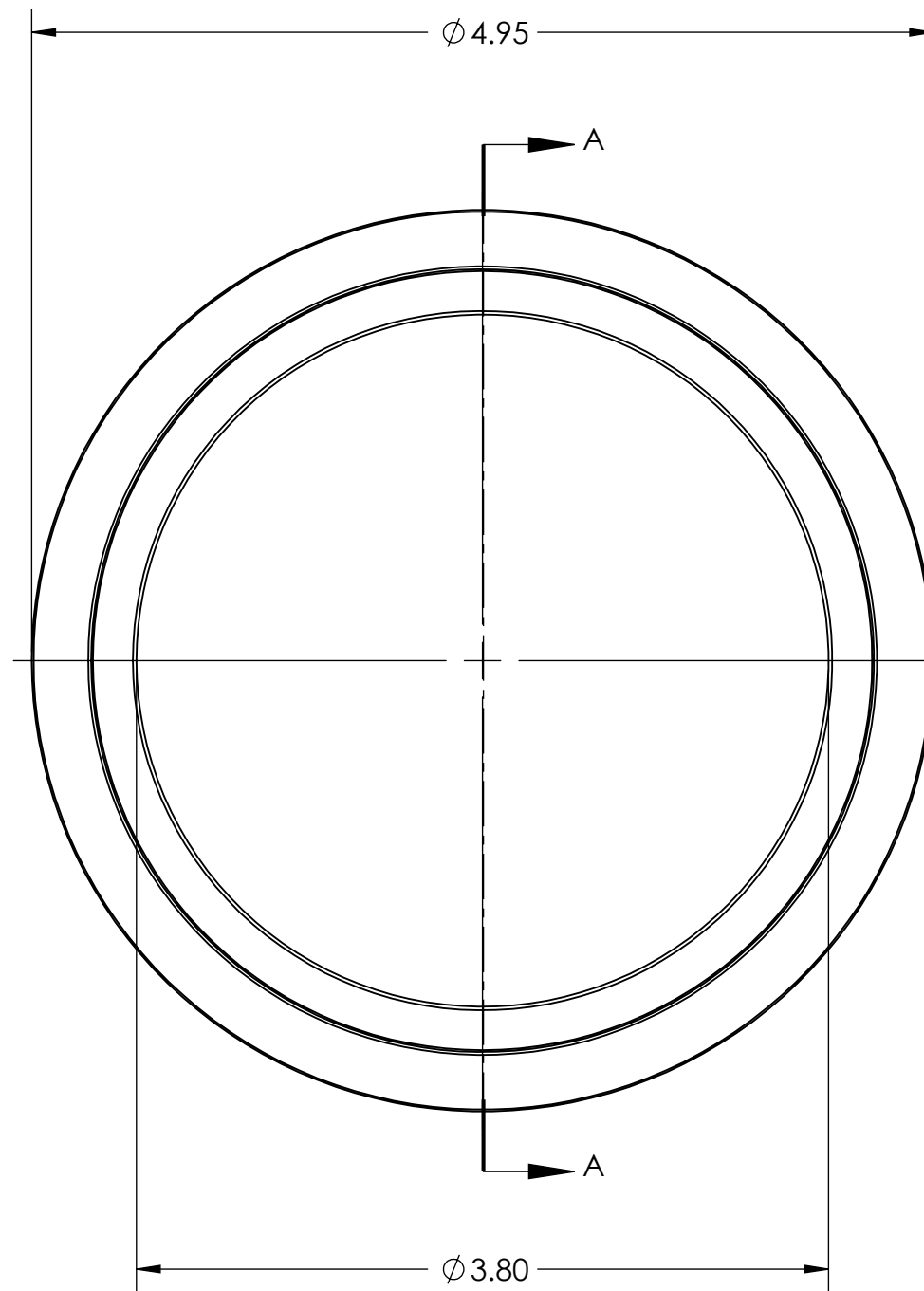
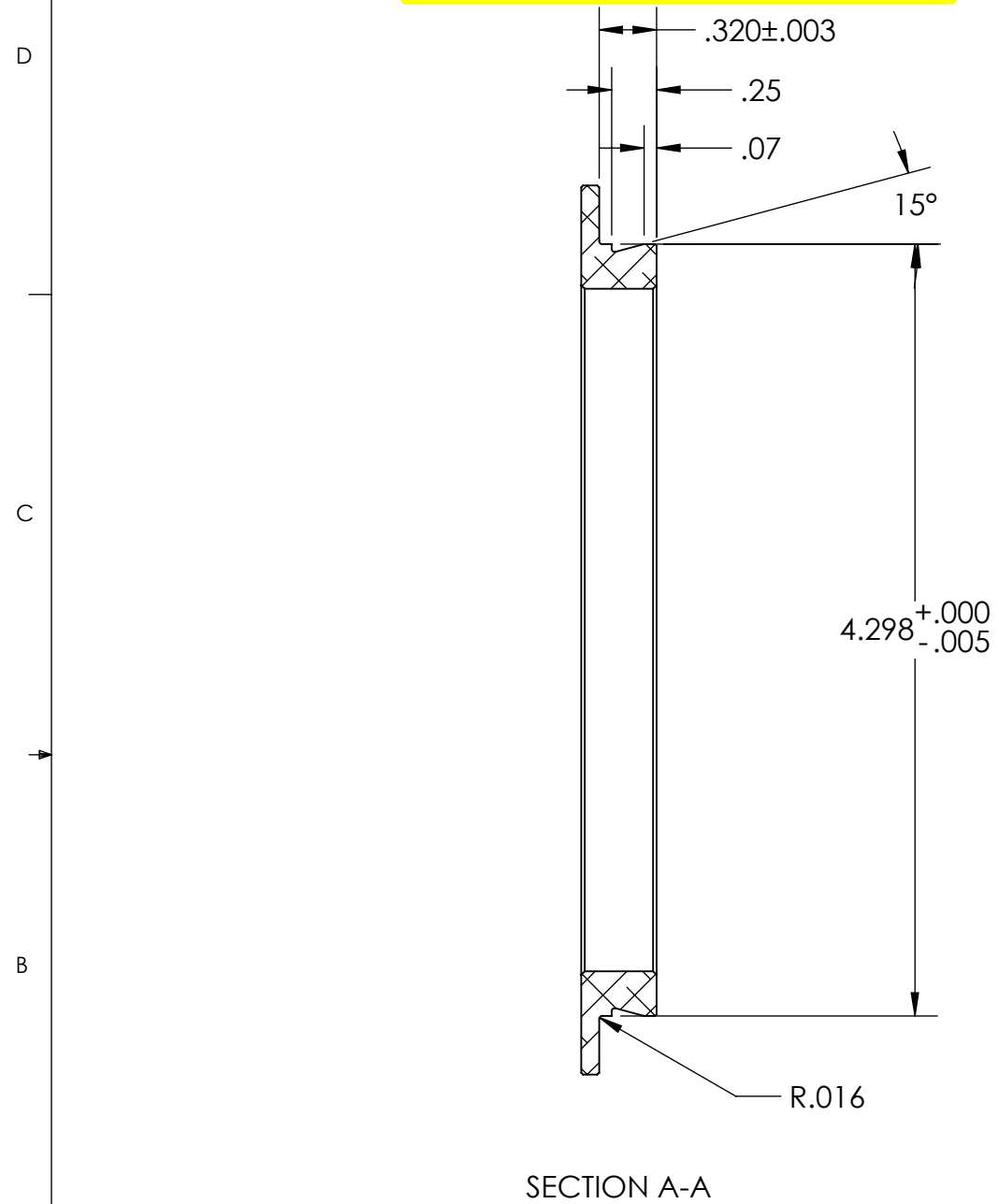
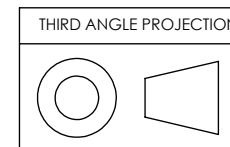


**NOTE: DOVETAIL HEIGHT SHOULD NOT EXCEED 0.320".
TALLER DOVETAILS WILL INHIBIT THE HOME SWITCH ON
GEMINI FOCUSING ROTATOR**



REVISIONS			
REV.	DESCRIPTION	DATE	APPROVED
A	INITIAL RELEASE	3/24/2015	LD



UNLESS OTHERWISE SPECIFIED: DIMENSIONS ARE IN INCHES TWO PLACE DECIMAL ±.007 THREE PLACE DECIMAL ±.003	DRAWN	NAME	DATE	Optec Inc.
	CHECKED	LD	3/24/15	
	ENG APPR.			
	MFG APPR.			
MATERIAL	CONTRACT			TITLE:
N/A	DOVETAIL DOCUMENTATION			OPTEC 4300 DOVETAIL
FINISH	SCALE: 1:1			DWG. NO.
N/A	WEIGHT:			OPTEC_4300_DOVETAIL
DO NOT SCALE DRAWING	SHEET 1 OF 1			