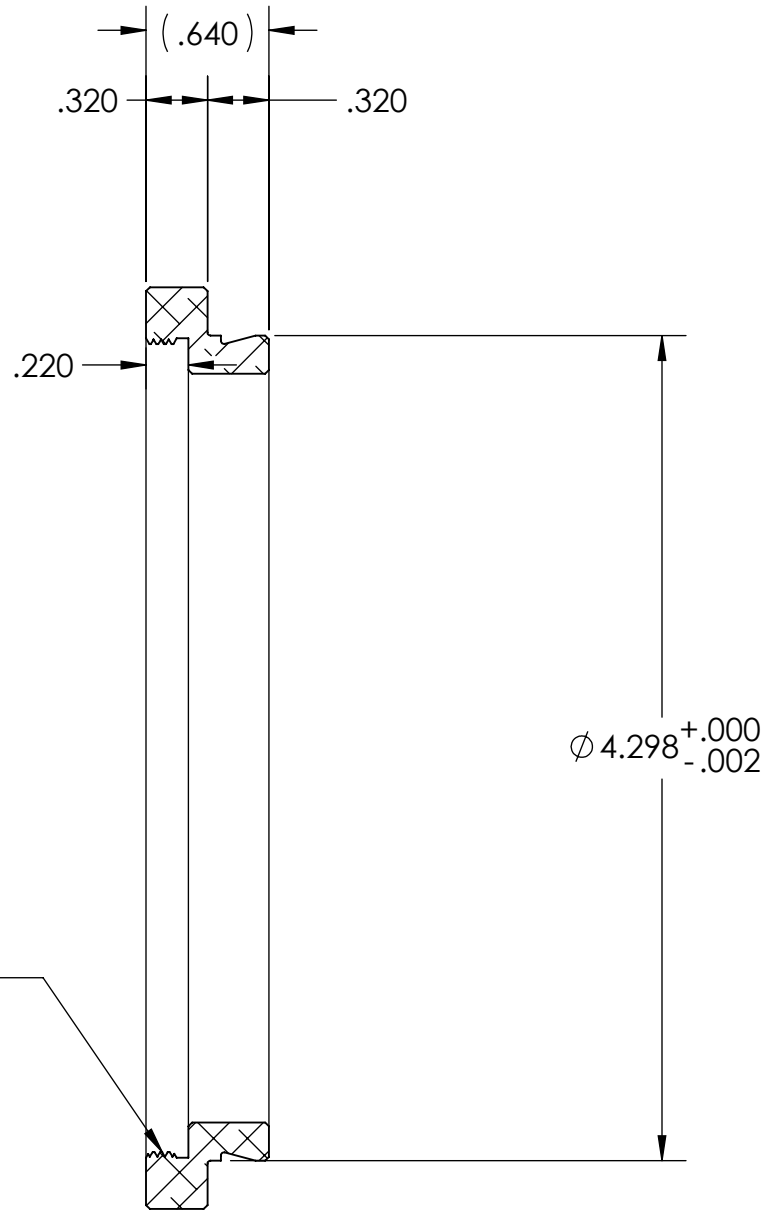
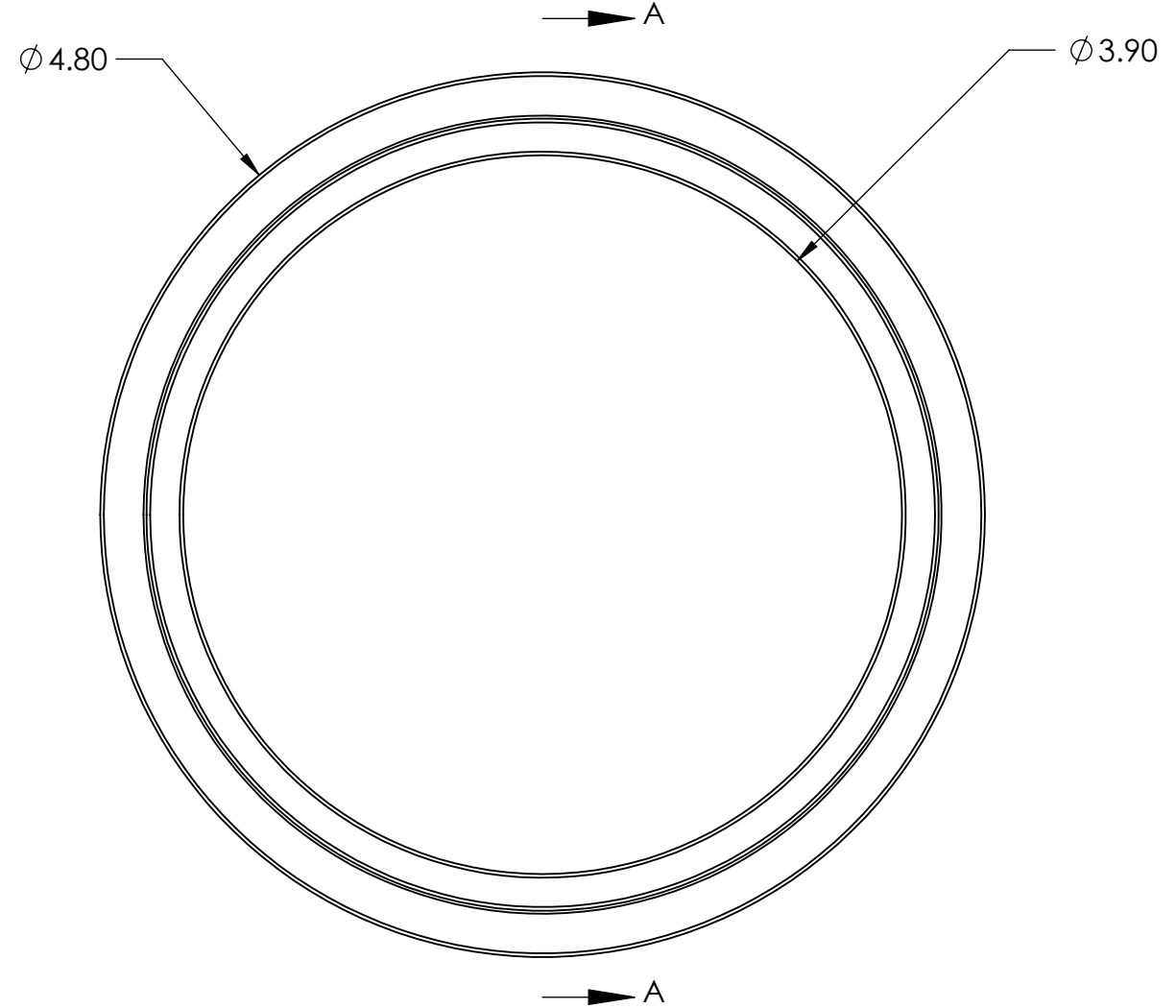


STK NO 19843



M107.7 X 1mm



UNLESS OTHERWISE SPECIFIED: DIMENSIONS ARE IN INCHES TOLERANCES: FRACTIONAL $\pm$ ANGULAR: MACH $\pm$ BEND $\pm$ TWO PLACE DECIMAL $\pm .007$ THREE PLACE DECIMAL $\pm .003$	DRAWN	NAME	DATE	<b>Optec Inc.</b>
	CHECKED	LD	9/4/15	
	ENG APPR.			
	MFG APPR.			
	Q.A.			TITLE:
	CONTRACT			TAK EPSILON 180ED TO OPTEC-4300
	MATERIAL	6061-T6		SIZE
	FINISH	SEE NOTES		DWG. NO.
	DO NOT SCALE DRAWING			<b>B</b>
				19-13007
				SCALE: 1:1
				WEIGHT:
				SHEET 1 OF 1

