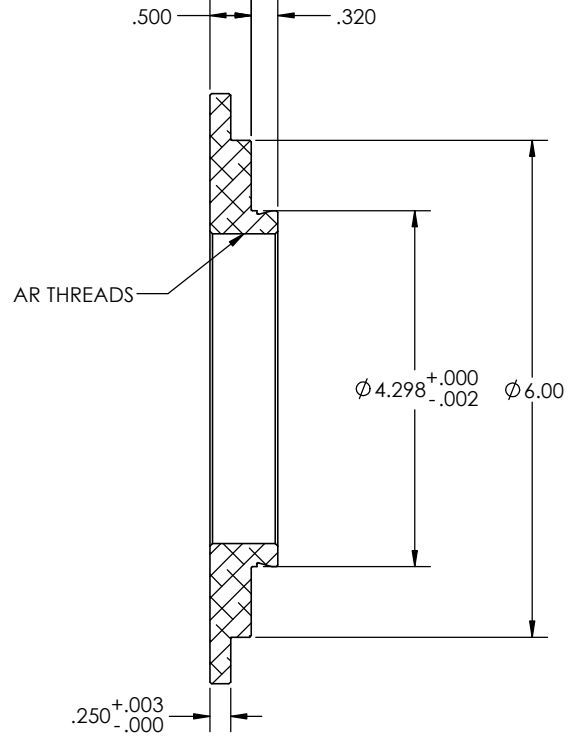
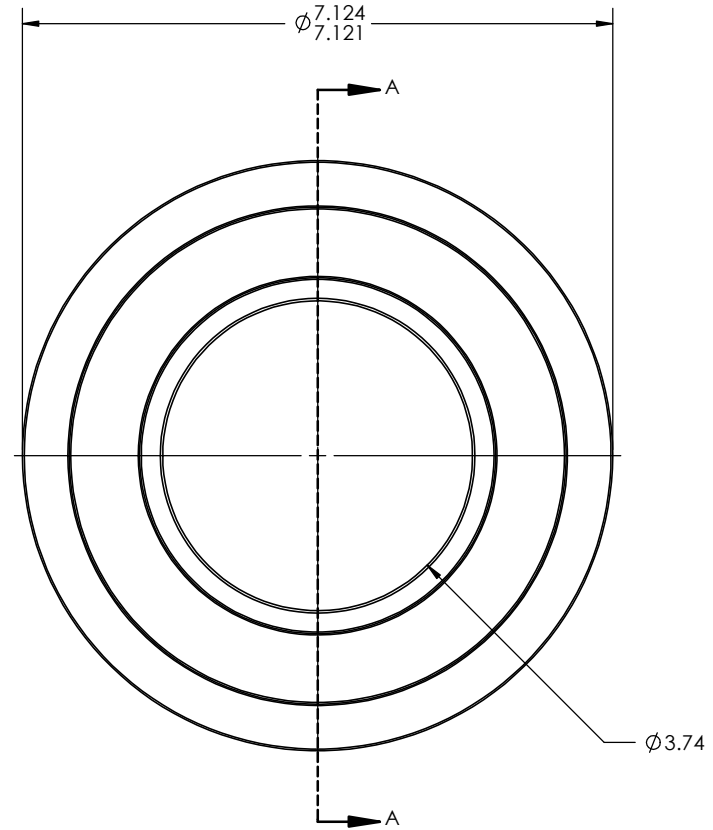


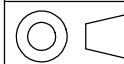
PN 5786  
 STK NO 19842



SECTION A-A



THIRD ANGLE PROJECTION



UNLESS OTHERWISE SPECIFIED: DIMENSIONS ARE IN INCHES TWO PLACE DECIMAL $\pm .007$ THREE PLACE DECIMAL $\pm .003$	DRAWN	NAME	DATE	<b>Optec Inc.</b> TITLE: OPTEC 4300 TO PLANEWAVE 14/17/20/24
	CHECKED	LD	10/23/17	
	ENG APPR.			
	MFG APPR.			
MATERIAL	CONTRACT			SIZE
6061-T6	OPTEC 4300			DWG. NO. <b>B</b> 17-06725
FINISH	SEE NOTES			SCALE: 2:3
DO NOT SCALE DRAWING				WEIGHT:
				SHEET 1 OF 1