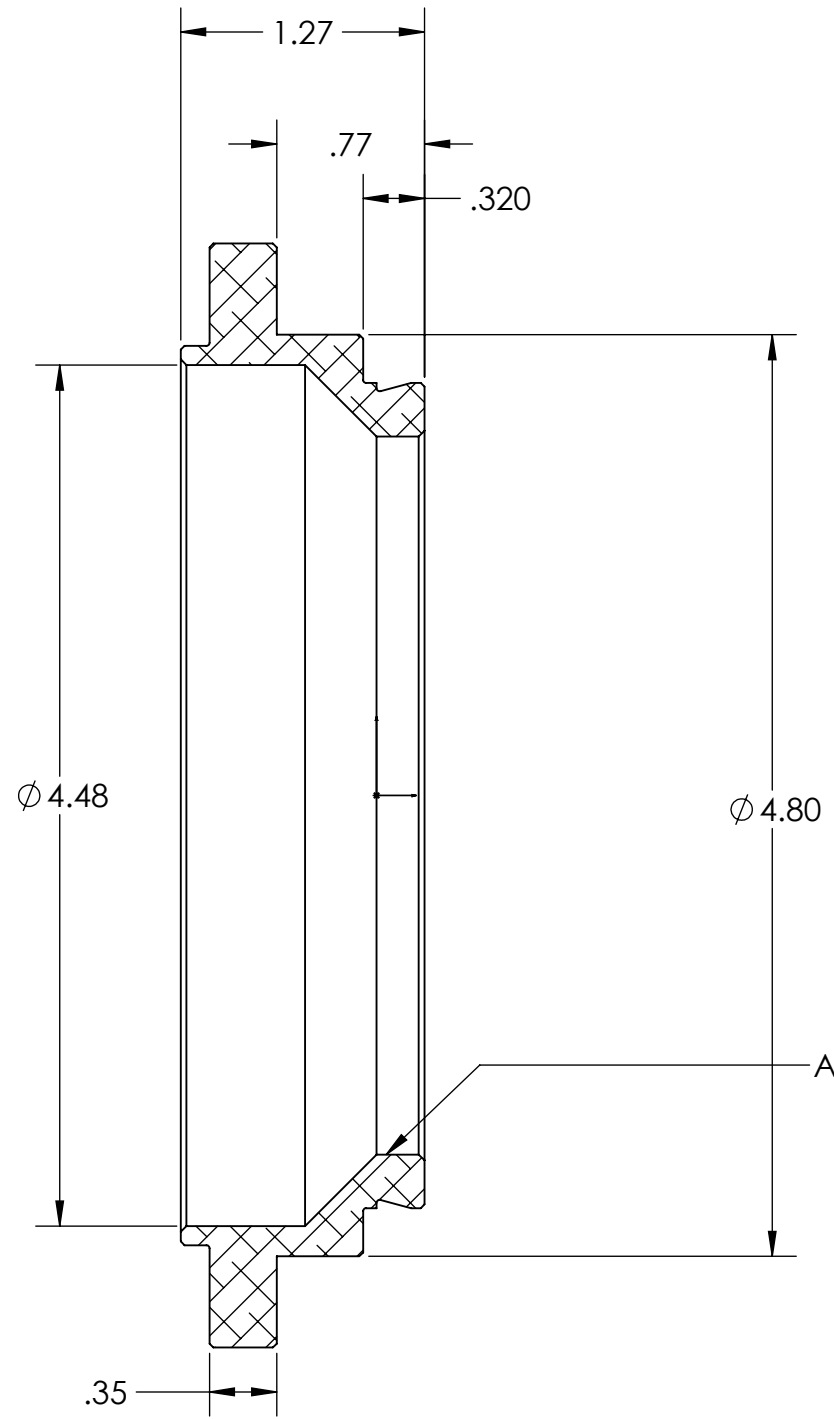


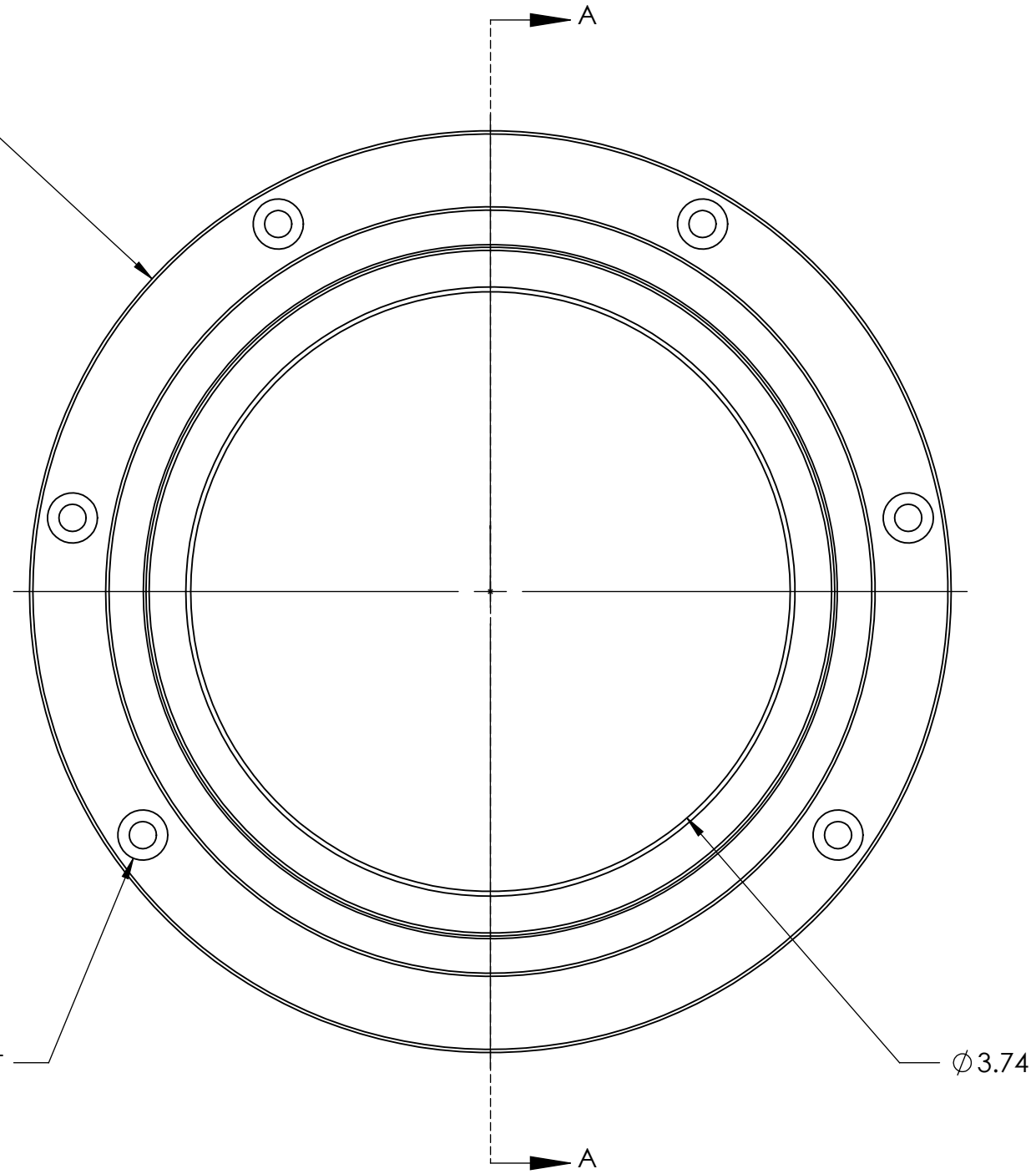
STK NO 19837



SECTION A-A

ANTI-REFLECTION  
THREAD

6X  $\phi$  .17 THRU ALL  
 $\square$   $\phi$  .313  $\nabla$  .17



UNLESS OTHERWISE SPECIFIED: DIMENSIONS ARE IN INCHES TWO PLACE DECIMAL $\pm$ .007 THREE PLACE DECIMAL $\pm$ .003	DRAWN	NAME	DATE	<b>Optec Inc.</b>
	CHECKED	LD	9/2/15	
	ENG APPR.			
	MFG APPR.			
MATERIAL	CONTRACT			TITLE: AP RICCARDI-HONDERS TO OPTEC 4300
6061-T6	OPTEC 4300			
FINISH	DO NOT SCALE DRAWING			SIZE
SEE NOTES				DWG. NO.
				<b>B</b>
				19-13004
				SCALE: 1:1
				WEIGHT:
				SHEET 1 OF 1

