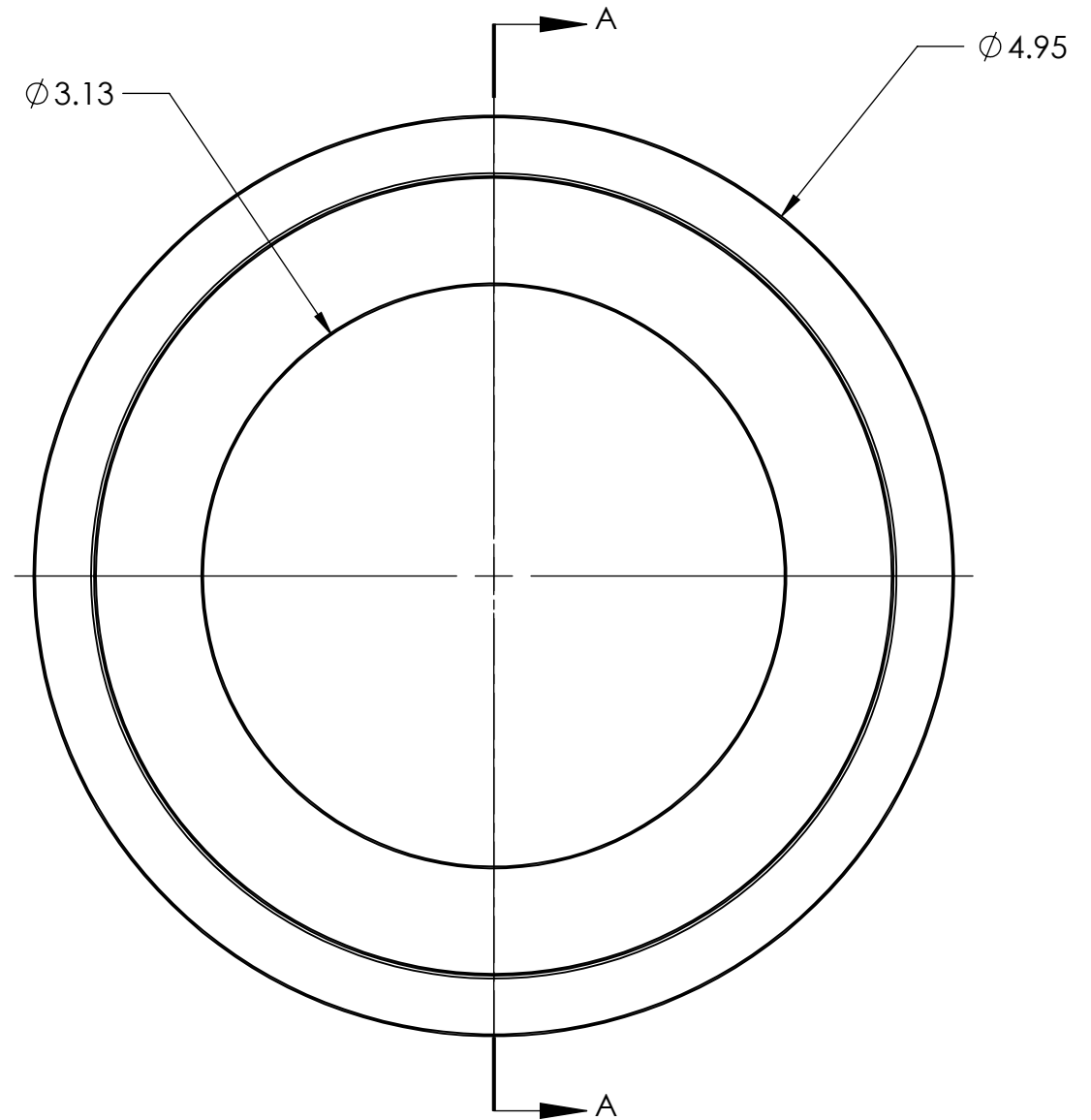
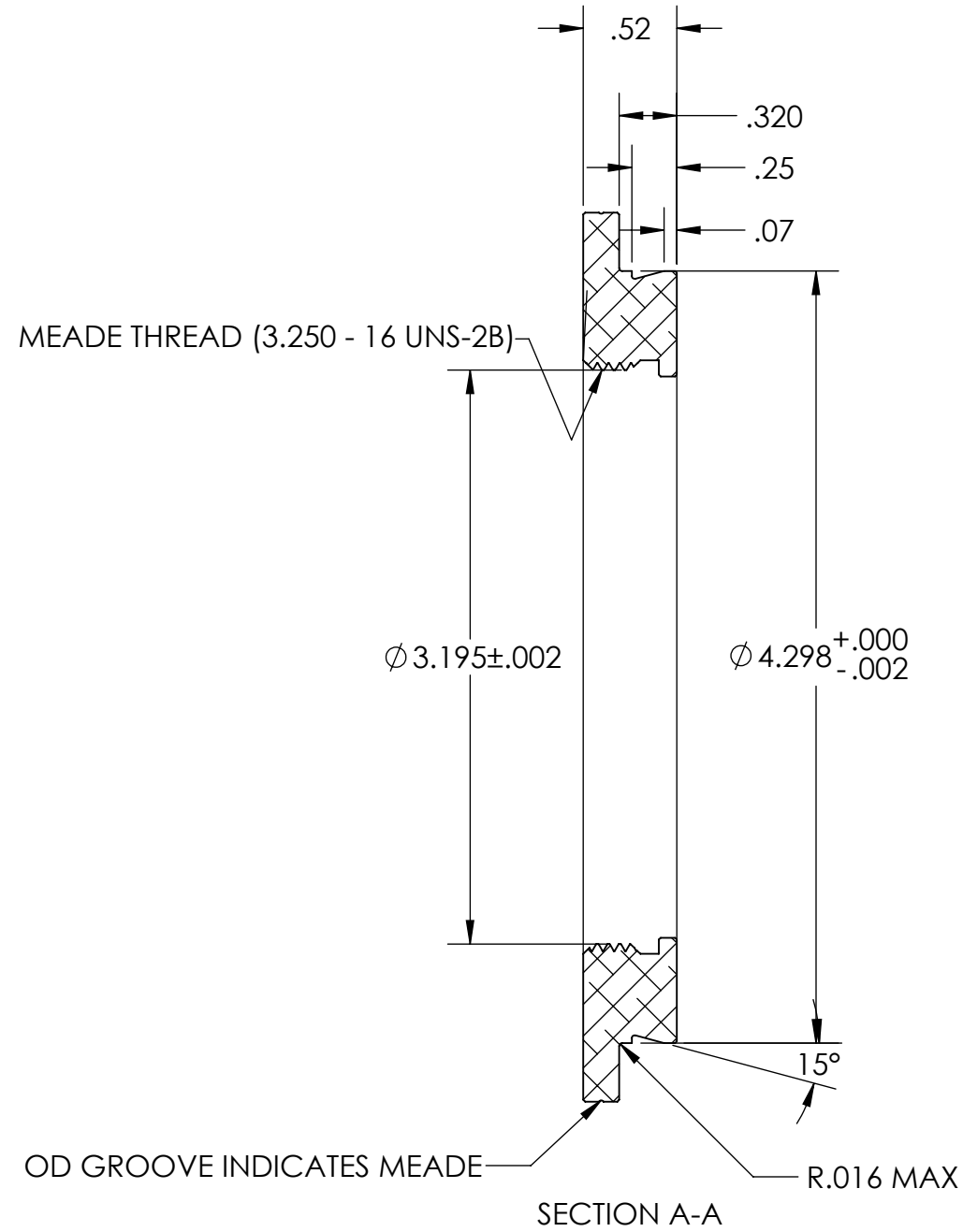
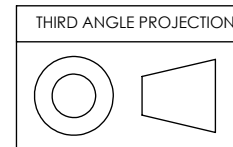


PN 5790
STK NO 19836



REVISIONS			
REV.	DESCRIPTION	DATE	APPROVED
A	INITIAL RELEASE	9/14/2015	LD



UNLESS OTHERWISE SPECIFIED: DIMENSIONS ARE IN INCHES TWO PLACE DECIMAL ±.007 THREE PLACE DECIMAL ±.003	DRAWN	NAME	DATE	Optec Inc.
	CHECKED	LD	9/14/15	
	ENG APPR.			
	MFG APPR.			
MATERIAL	6061-T6			TITLE:
FINISH	SEE NOTES			MEADE 3.25" THREAD TO OPTEC 4300
DO NOT SCALE DRAWING	CONTRACT			SIZE DWG. NO.
	OPTEC 4300			B 19-13003
	SCALE: 1:1	WEIGHT:	SHEET 1 OF 1	