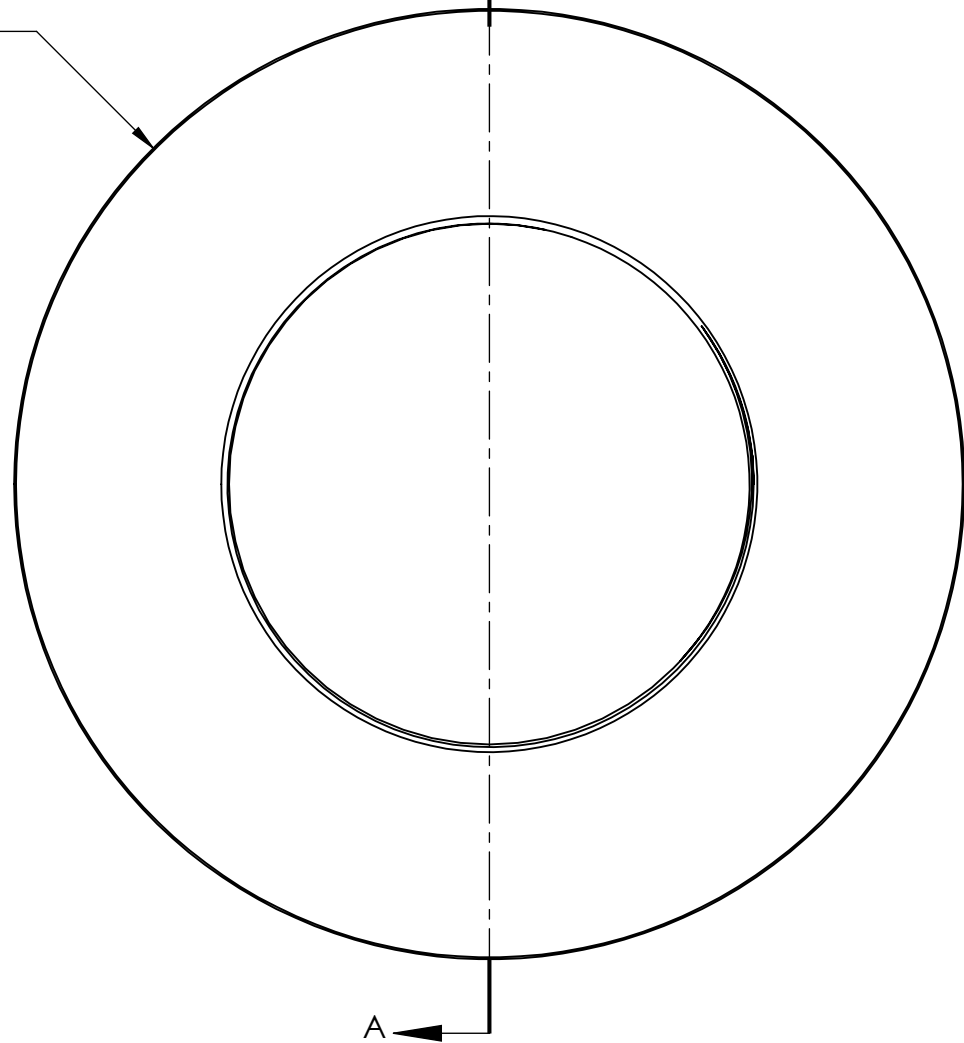
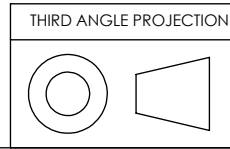
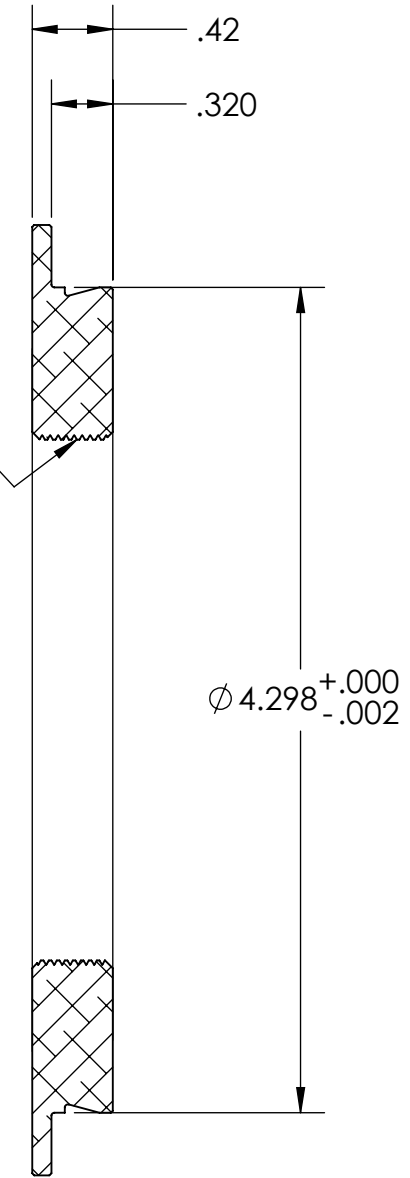


STK NO 19834

Ø4.95



AP 2.7 THREAD (2.754 - 24 UNS-2B)



UNLESS OTHERWISE SPECIFIED: DIMENSIONS ARE IN INCHES TWO PLACE DECIMAL ±.007 THREE PLACE DECIMAL ±.003	DRAWN	NAME	DATE	Optec Inc.
	CHECKED	LD	10/27/15	
	ENG APPR.			
	MFG APPR.			
MATERIAL	CONTRACT			TITLE: OPTEC 4300 TO AP 2.7
6061-T6	OPTEC-4300			
FINISH	SEE NOTES	SIZE	DWG. NO.	SHEET 1 OF 1
DO NOT SCALE DRAWING		B	19-13009	
		SCALE: 1:1	WEIGHT:	