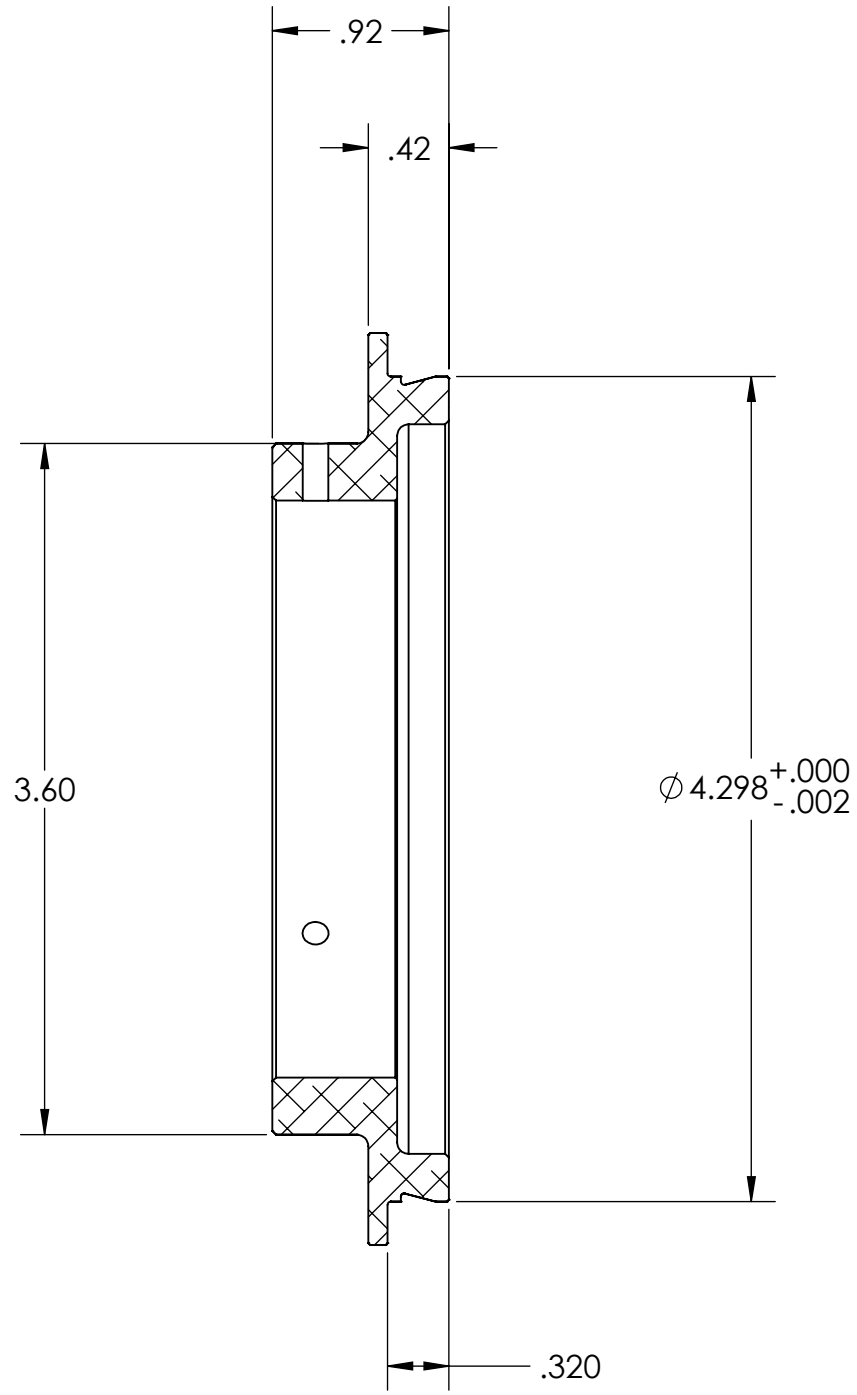
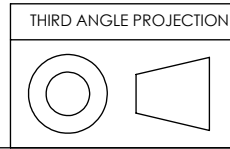
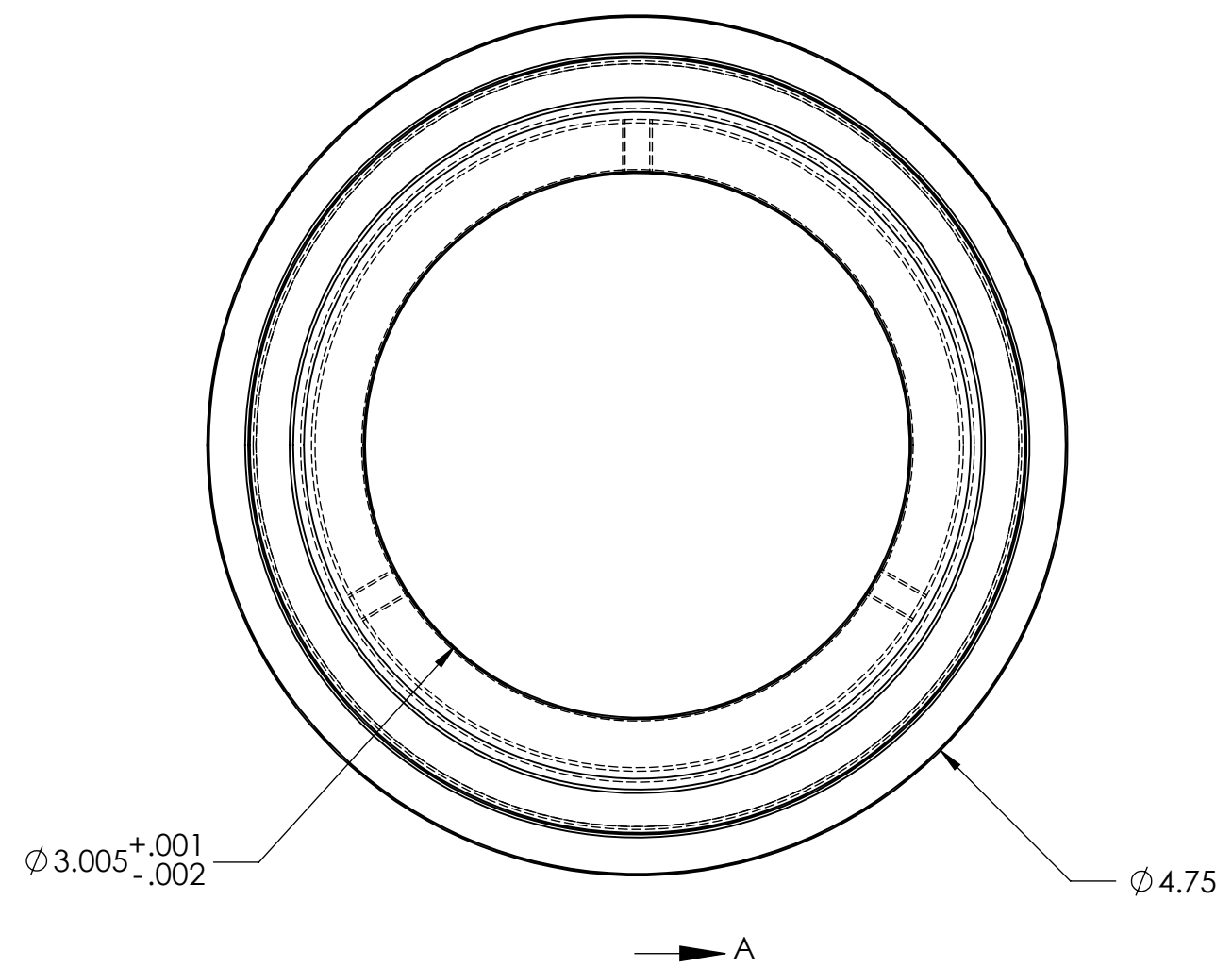
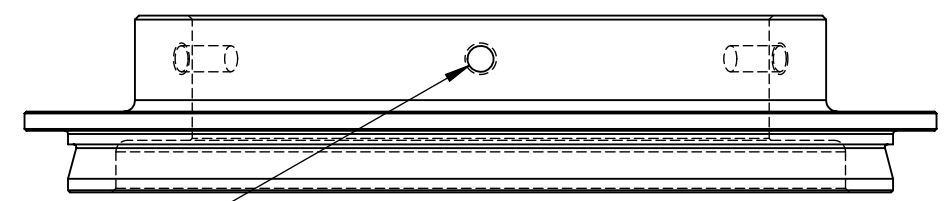


STK NO. 19833



3X $\phi .136$ THRU
8-32 UNC THRU



UNLESS OTHERWISE SPECIFIED: DIMENSIONS ARE IN INCHES TWO PLACE DECIMAL ±.007 THREE PLACE DECIMAL ±.003	DRAWN	NAME	DATE	Optec Inc. TITLE: OPTEC 4300 TO 3-INCH RECEIVER
	CHECKED	LD	8/27/15	
	ENG APPR.			
	MFG APPR.			
MATERIAL	CONTRACT			SIZE DWG. NO. B 19-13006
6061-T6	OPTEC-4300			
FINISH	DO NOT SCALE DRAWING			SCALE: 1:1
				WEIGHT:
				SHEET 1 OF 1