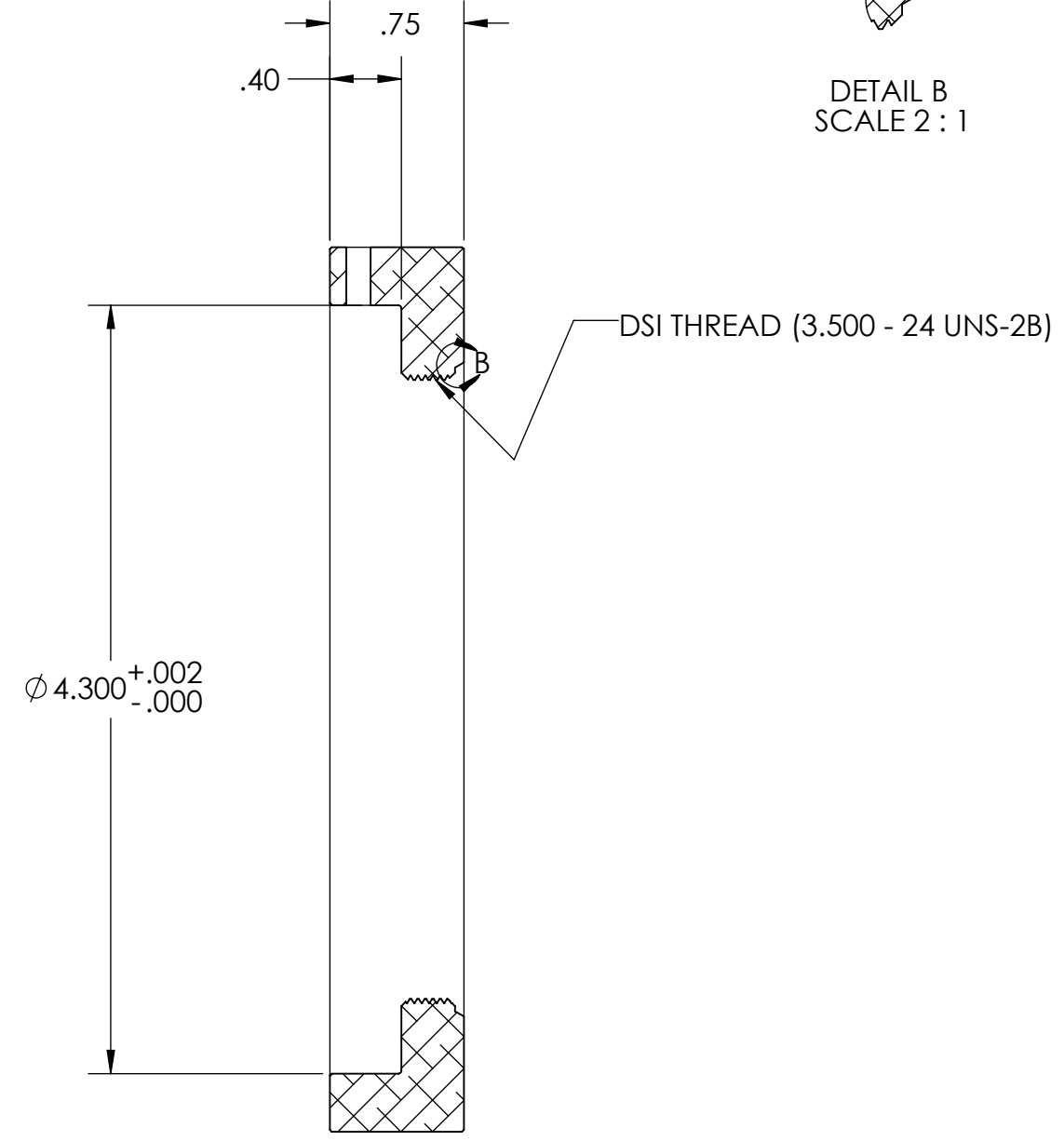
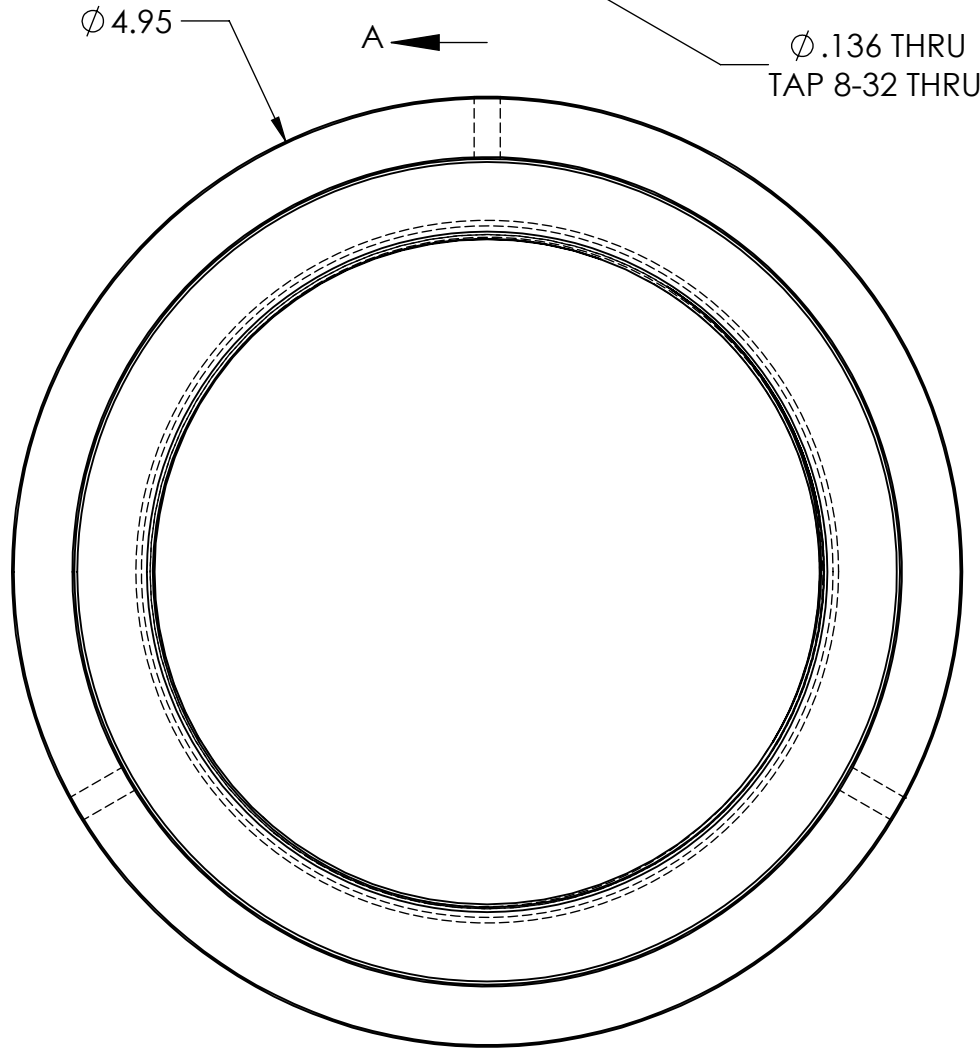
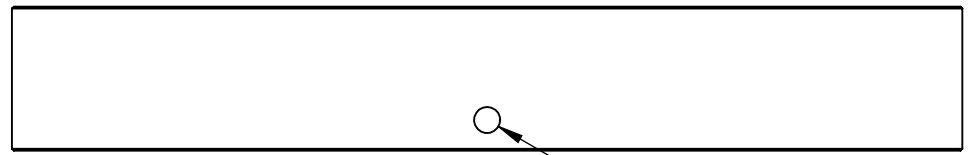


STK NO 19832



DETAIL B  
SCALE 2 : 1

UNLESS OTHERWISE SPECIFIED: DIMENSIONS ARE IN INCHES TWO PLACE DECIMAL $\pm .007$ THREE PLACE DECIMAL $\pm .003$	DRAWN	NAME	DATE	<b>Optec Inc.</b>
	CHECKED	LD	4/21/15	
	ENG APPR.			
	MFG APPR.			
MATERIAL	CONTRACT			TITLE: FEMALE OPTEC 4300 TO FEMALE DSI 3.5
6061-T6	OPTEC 4300			
FINISH	SEE NOTES	SIZE	DWG. NO.	SHEET 1 OF 1
DO NOT SCALE DRAWING		<b>B</b>	19-19003	
		SCALE: 1:1	WEIGHT:	

