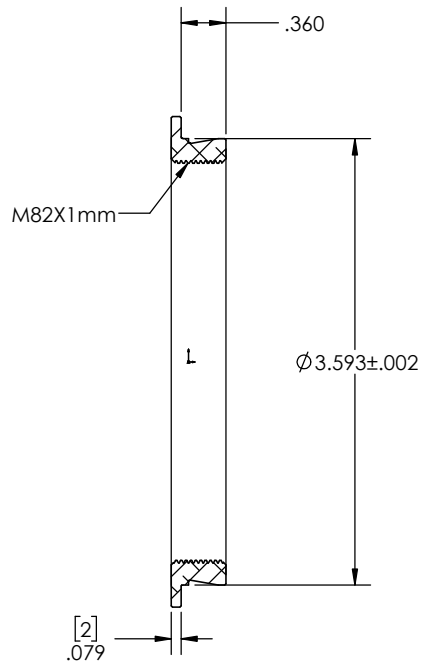
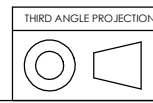
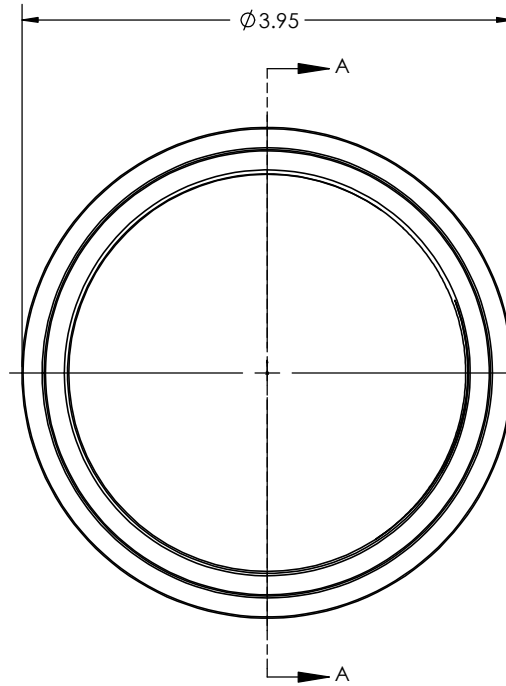


PN 5944  
 STK NO. 19812



SECTION A-A



UNLESS OTHERWISE SPECIFIED: DIMENSIONS ARE IN INCHES TWO PLACE DECIMAL $\pm .007$ THREE PLACE DECIMAL $\pm .003$	DRAWN	NAME	DATE	<b>Optec Inc.</b>
	CHECKED	LD	2/2/18	
	ENG APPR.			
	MFG APPR.			
	Q.A.			
MATERIAL	6061-T6			TITLE: M82X1mm TO OPTEC 3600
FINISH	SEE NOTES			SIZE <b>B</b>
DO NOT SCALE DRAWING	CONTRACT OPTEC-3600			DWG. NO. <b>17-06897</b>
	SCALE: 1:1	WEIGHT:	SHEET 1 OF 1	