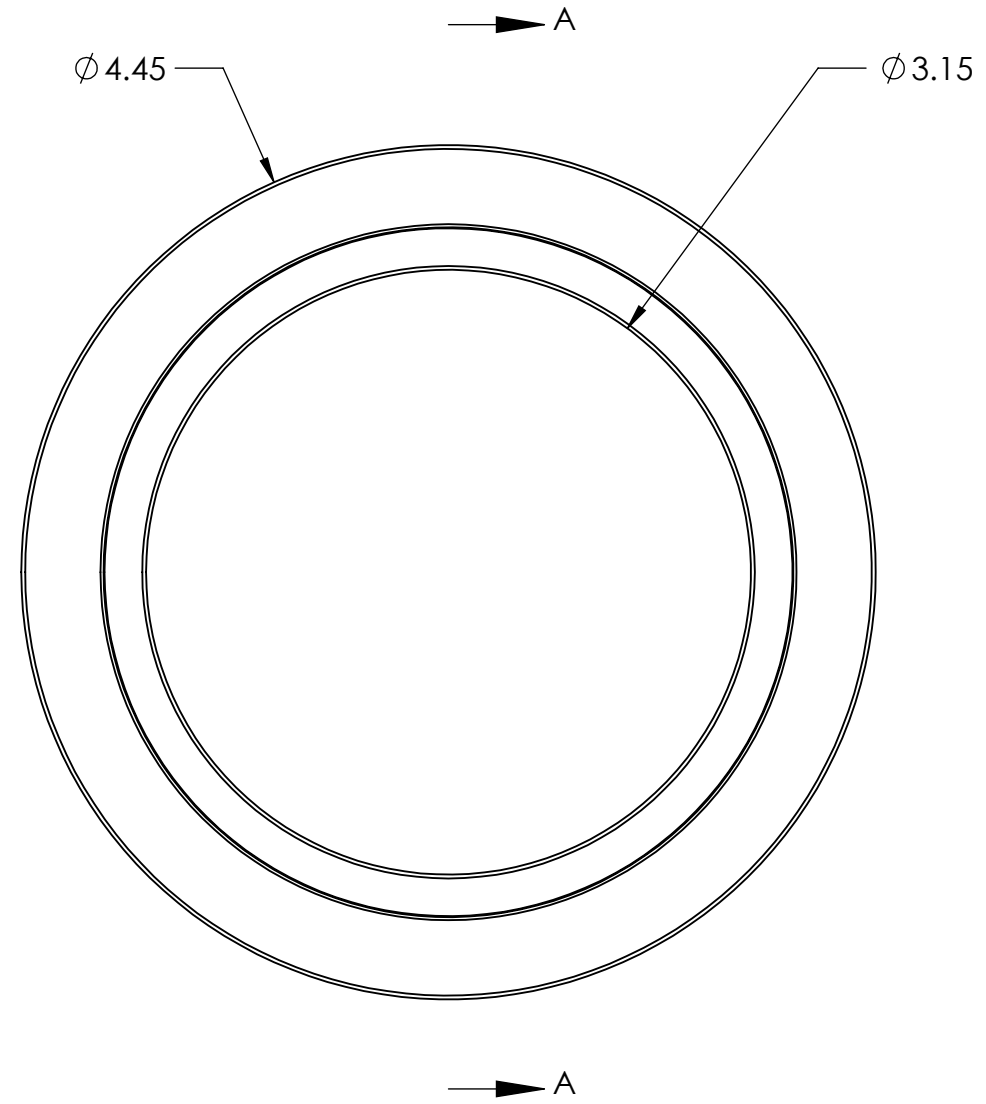
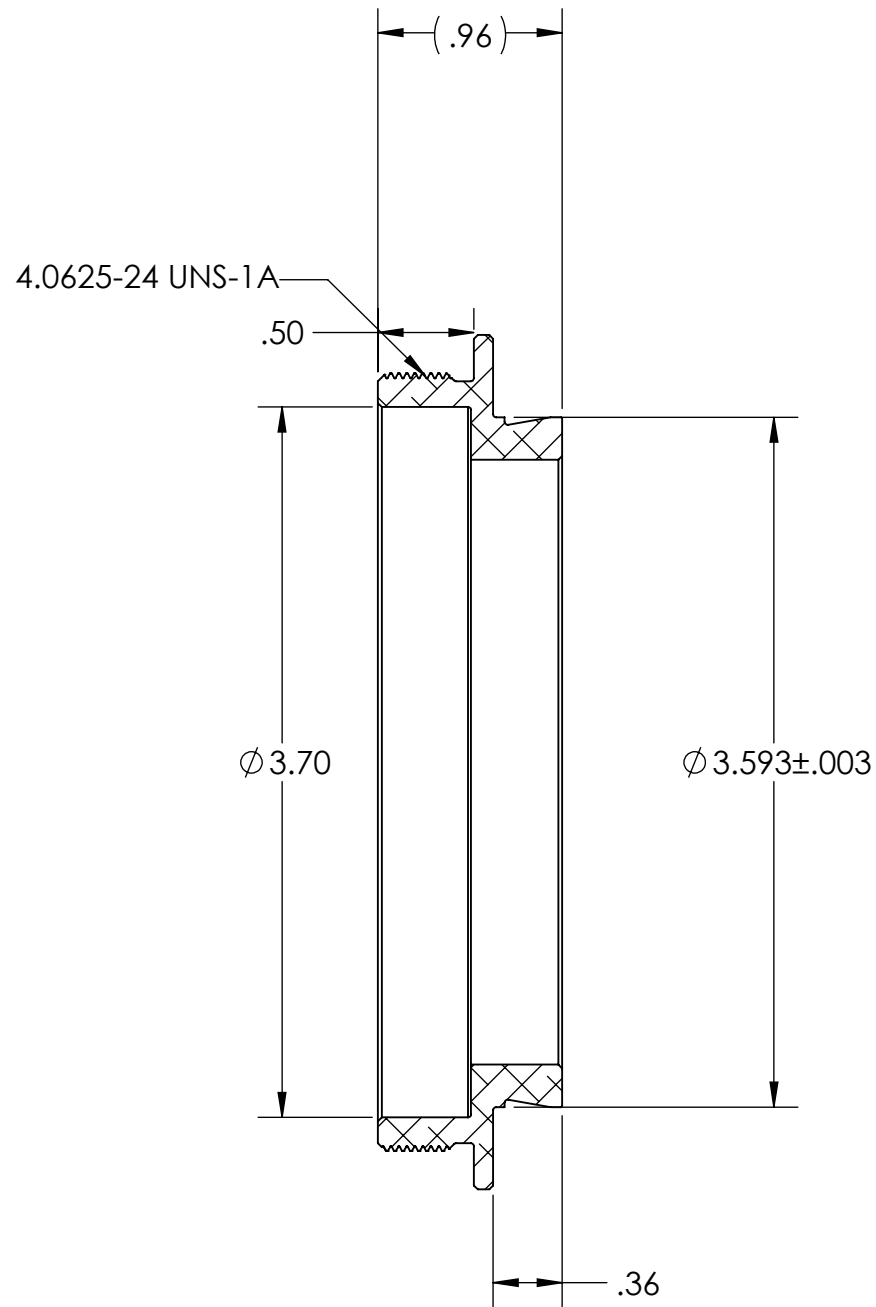


STK NO 19810



UNLESS OTHERWISE SPECIFIED: DIMENSIONS ARE IN INCHES TOLERANCES: FRACTIONAL ± ANGULAR: MACH ± BEND ± TWO PLACE DECIMAL ±.007 THREE PLACE DECIMAL ±.003	DRAWN	NAME	DATE	Optec Inc. TITLE: RCOS 100mm FIA TO OPTEC 3600
	CHECKED	LD	7/1/13	
	ENG APPR.			
	MFG APPR.			
				Q.A.
	CONTRACT			
	OPTEC-3600			
	SIZE	DWG. NO.		
	B	17-06891		
	SCALE: 1:1	WEIGHT:	SHEET 1 OF 1	

