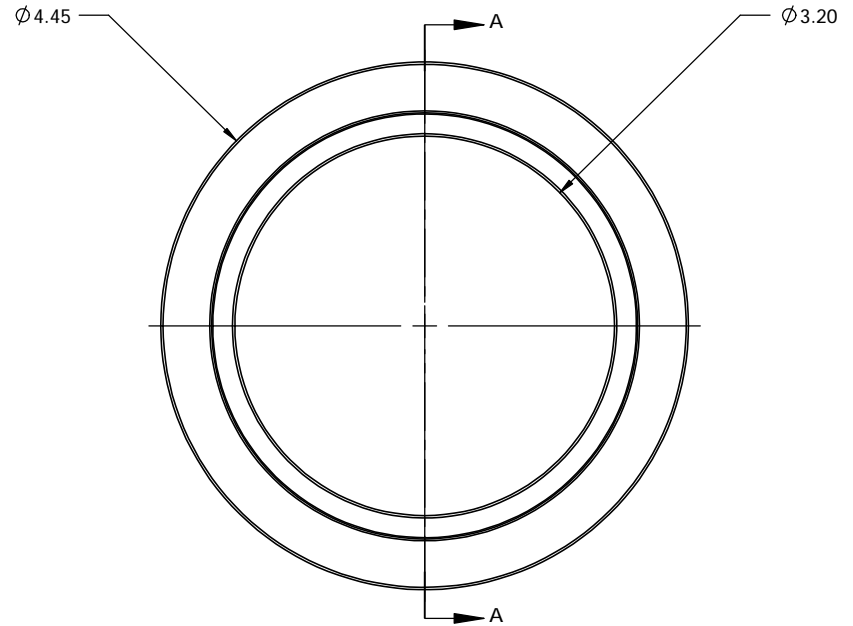
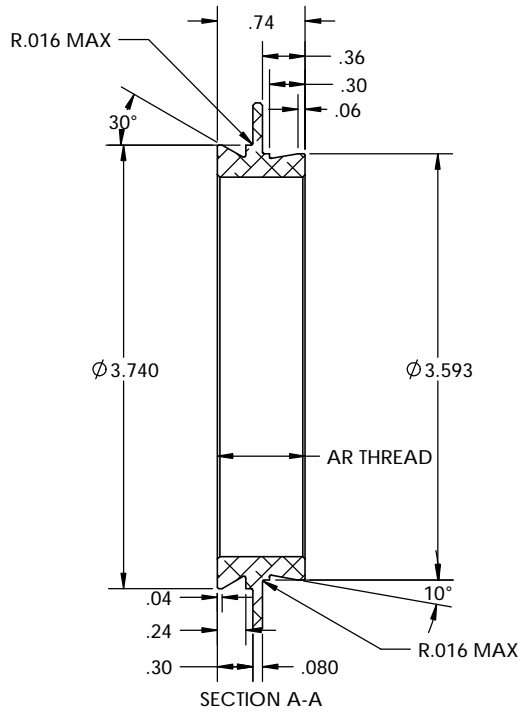


PN 5097  
 STK. NO. 19805



UNLESS OTHERWISE SPECIFIED:		DRAWN	NAME	DATE	<b>Optec Inc.</b>	
		LD		05/17/10		
DIMENSIONS ARE IN INCHES		CHECKED	TITLE: <b>FLI ATLAS TO OPTEC 3600</b>			
TOLERANCES:		ENG APPR.				
FRACTIONAL ±		MFG APPR.				
ANGULAR: MACH ± BEND ±		Q.A.				
TWO PLACE DECIMAL ±.007		CONTRACT			SIZE	DWG. NO.
THREE PLACE DECIMAL ±.003		OPTEC 3600			<b>B</b>	<b>17-06884</b>
MATERIAL					SCALE: 1:1	WEIGHT:
FINISH: SATIN ETCH BLACK					SHEET 1 OF 1	
DO NOT SCALE DRAWING						

