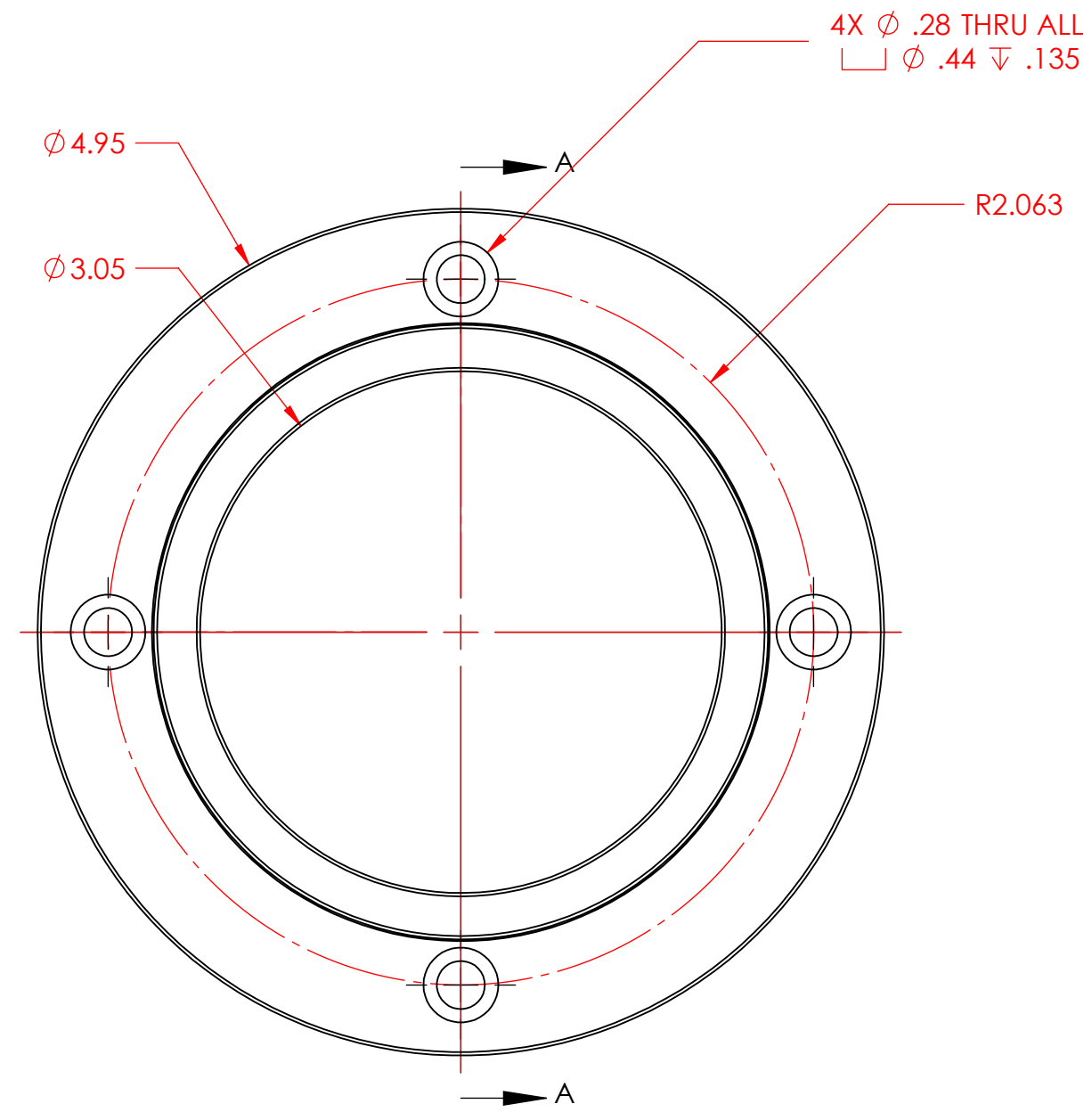
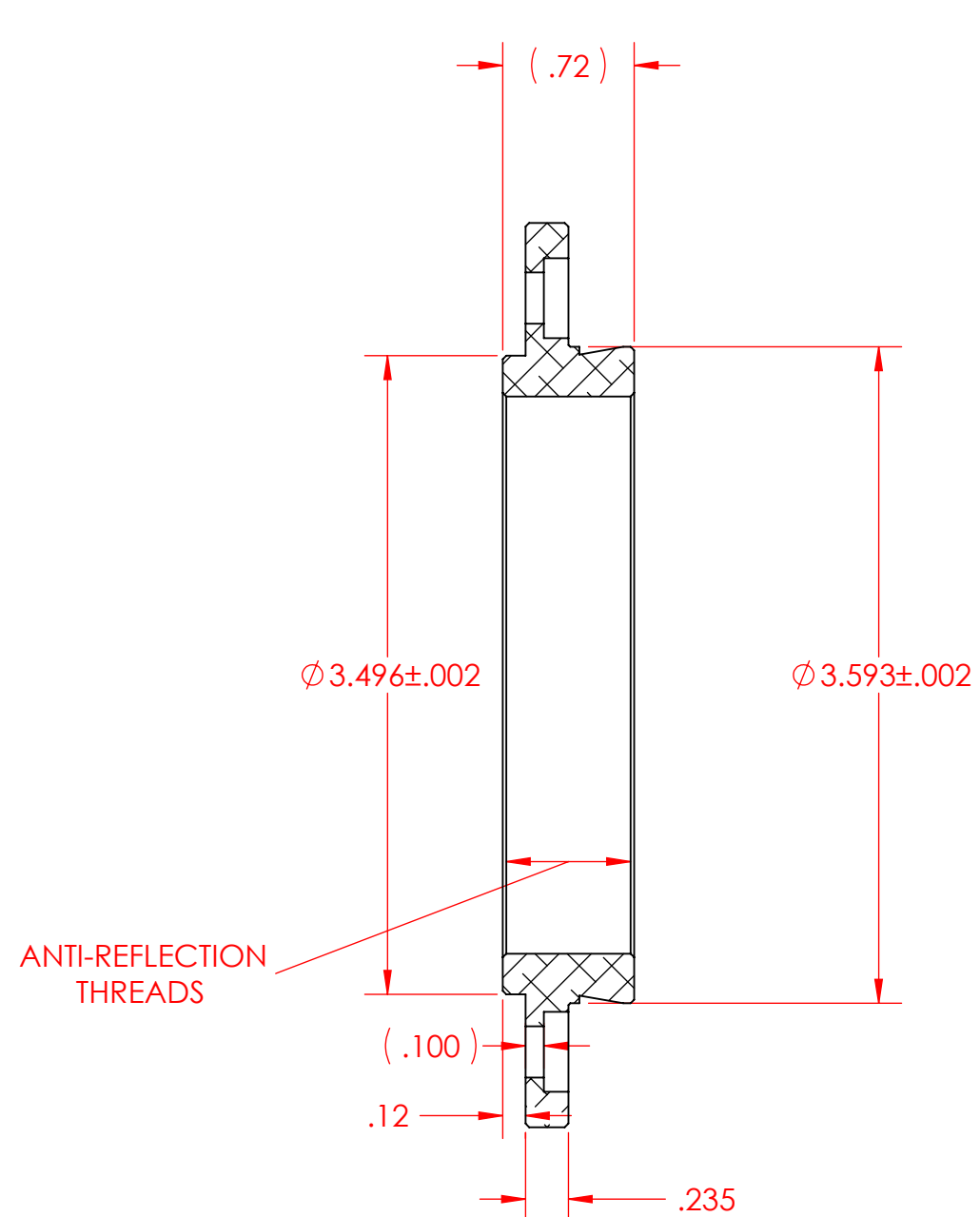


PN 4976
 STK NO 17828



UNLESS OTHERWISE SPECIFIED: DIMENSIONS ARE IN INCHES TOLERANCES: FRACTIONAL \pm ANGULAR: MACH \pm BEND \pm TWO PLACE DECIMAL $\pm .007$ THREE PLACE DECIMAL $\pm .003$	DRAWN	NAME	DATE	Optec, Inc. TITLE: PW CDK 17/20 LOW PRO TO OPTEC 3600	
	CHECKED	LD	09/09/09		
	ENG APPR.				
	MFG APPR.				
MATERIAL	CONTRACT			SIZE	DWG. NO.
6061-T6	OPTEC 3600			B	17-06698
FINISH				SCALE: 1:1	WEIGHT: 0.38
SEE NOTES				SHEET 1 OF 1	
DO NOT SCALE DRAWING					

