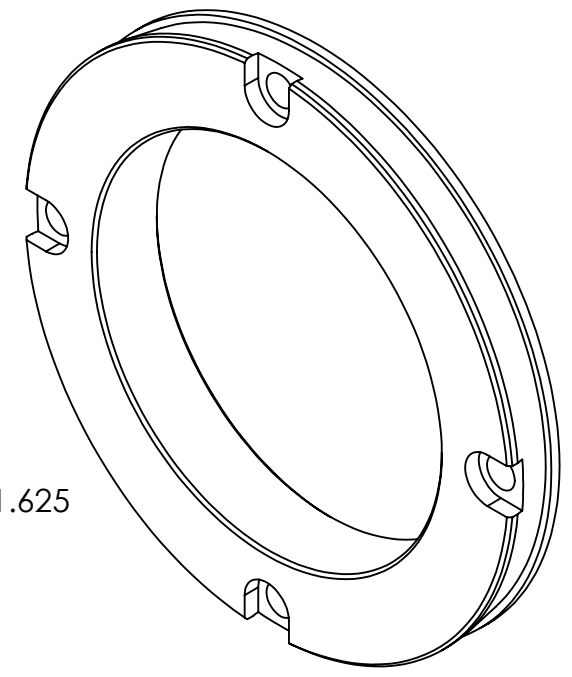
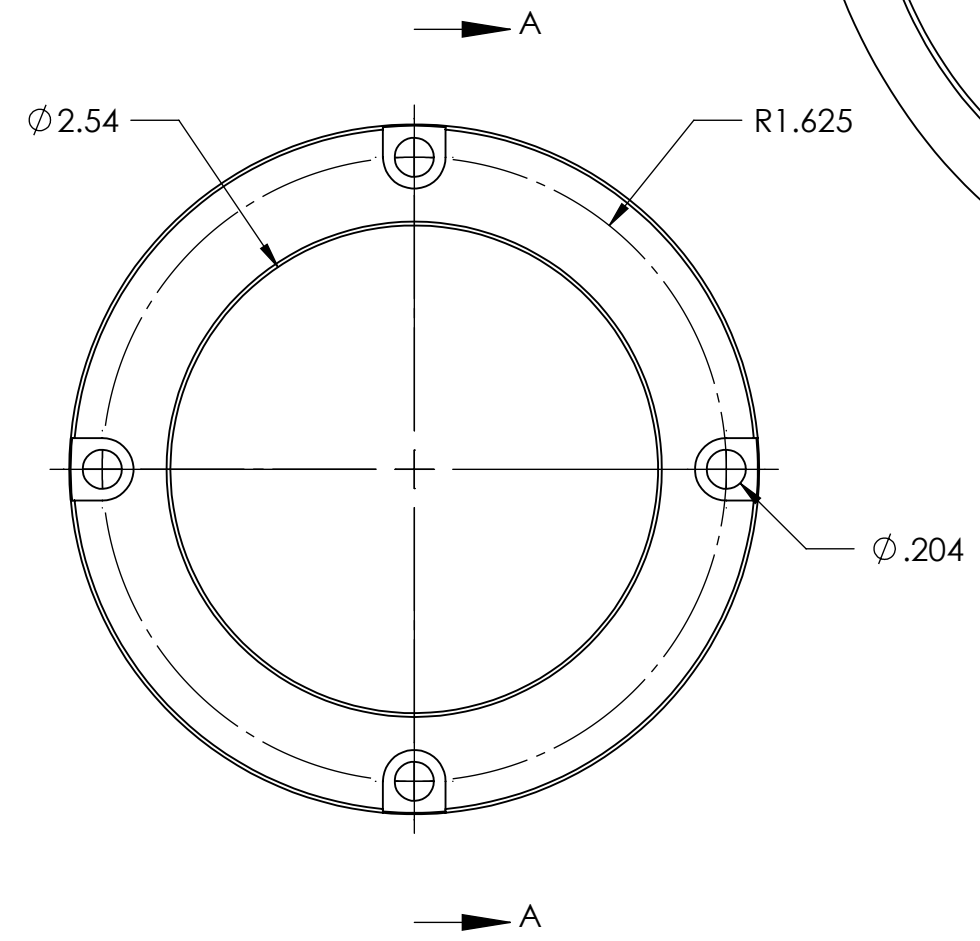
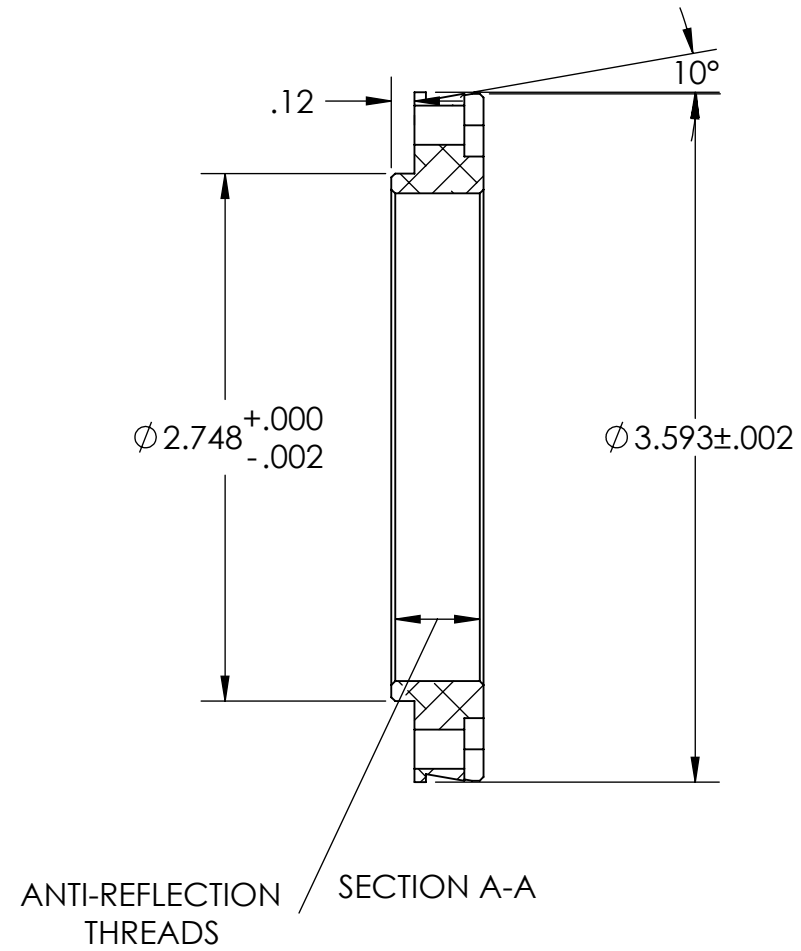


PN 4965
 STK. NO. 17827



UNLESS OTHERWISE SPECIFIED: DIMENSIONS ARE IN INCHES TOLERANCES: FRACTIONAL \pm ANGULAR: MACH \pm BEND \pm TWO PLACE DECIMAL $\pm .007$ THREE PLACE DECIMAL $\pm .003$	DRAWN	LD	07/27/09	Optec, Inc.	
	CHECKED				
	ENG APPR.			SIZE	DWG. NO.
	MFG APPR.			B	17-06697
	Q.A.			SCALE: 1:1	WEIGHT:
THIRD ANGLE PROJECTION 	MATERIAL	6061-T6		CONTRACT OPTEC 3600	
FINISH	SATIN ETCH BLACK				
DO NOT SCALE DRAWING					