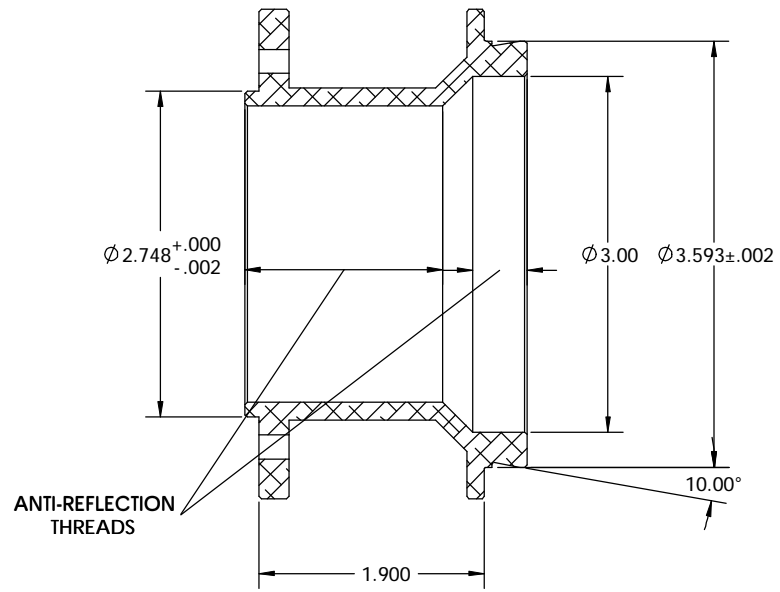
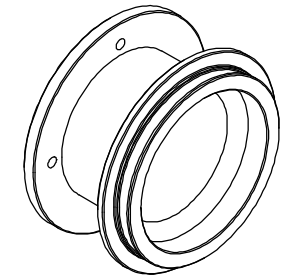
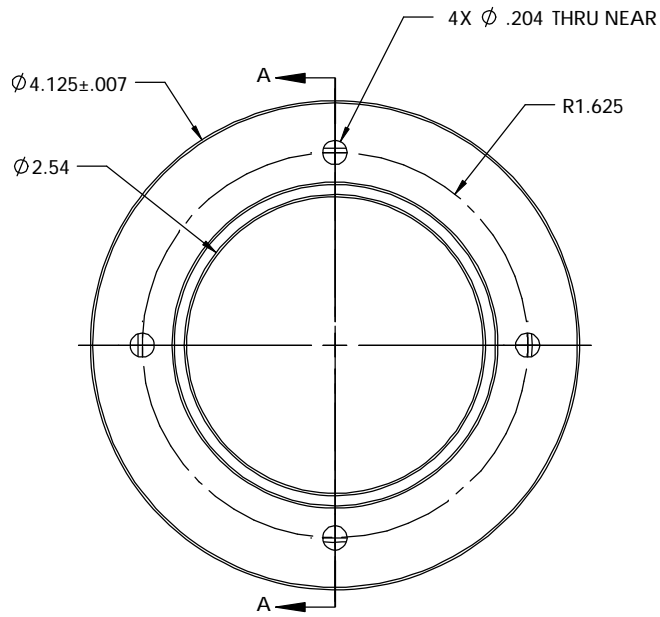
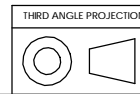


PN 4933
 STK. NO. 17826



UNLESS OTHERWISE SPECIFIED: DIMENSIONS ARE IN INCHES TOLERANCES: FRACTIONAL ± ANGULAR: MACH ± BEND ± TWO PLACE DECIMAL ±.007 THREE PLACE DECIMAL ±.003	DRAWN	NAME	DATE	Optec
	CHECKED	LD	06/11/09	
	ENG APPR.			
	MFG APPR.			
	G.A.			TITLE:
	CONTRACT			SIZE
	OPTEC-3600			DWG. NO.
				B
				17-06692
				SCALE: 1:1
				WEIGHT:
				SHEET 1 OF 1



MATERIAL
6061-T6
 FINISH
 FROSTKOTE BRIGHT
 DIP BLACK
 DO NOT SCALE DRAWING