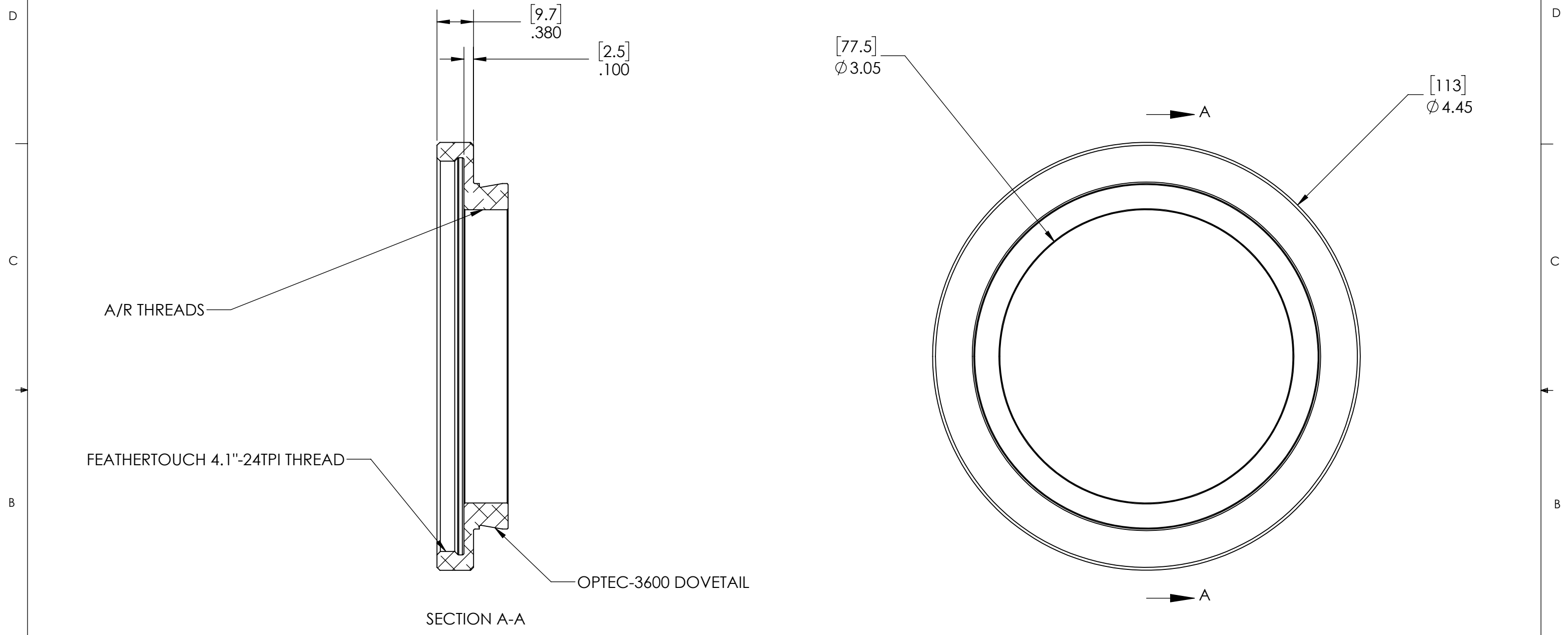


PN 4575
STK NO 17812



UNLESS OTHERWISE SPECIFIED: DIMENSIONS ARE IN INCHES TOLERANCES: FRACTIONAL ± ANGULAR: MACH ± BEND ± TWO PLACE DECIMAL ±.007 THREE PLACE DECIMAL ±.003	DRAWN	NAME	DATE	Optec Inc. TITLE: STARLIGHT 3.5" MOUNT
	CHECKED	LD	2/2/11	
	ENG APPR.			
	MFG APPR.			
		Q.A.		
	CONTRACT			
MATERIAL	6061-T6			
FINISH	SEE NOTES			
DO NOT SCALE DRAWING	OPTEC-3600			
	SIZE	DWG. NO.		
	B	17-06673		
	SCALE: 1:1	WEIGHT:	SHEET 1 OF 1	

