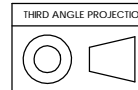
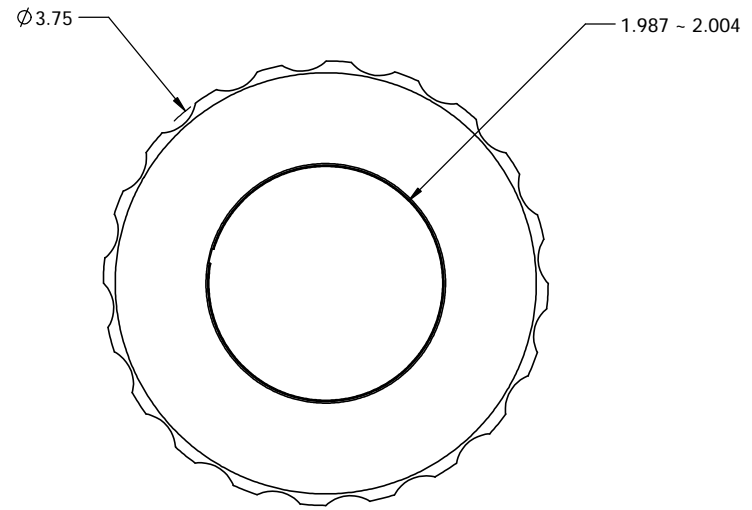
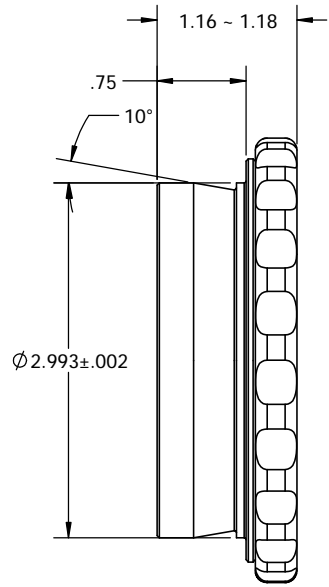


STK NO 19825



UNLESS OTHERWISE SPECIFIED: DIMENSIONS ARE IN INCHES TWO PLACE DECIMAL ±.007 THREE PLACE DECIMAL ±.003	DRAWN	NAME	DATE	Optec Inc. TITLE: 2" CENTERING COLLET
	CHECKED	LD	5/22/14	
	ENG APPR.			
	MFG APPR.			
MATERIAL	CONTRACT			SIZE
FINISH				B DWG. NO.
DO NOT SCALE DRAWING				SCALE: 1:1 WEIGHT: SHEET 1 OF 1