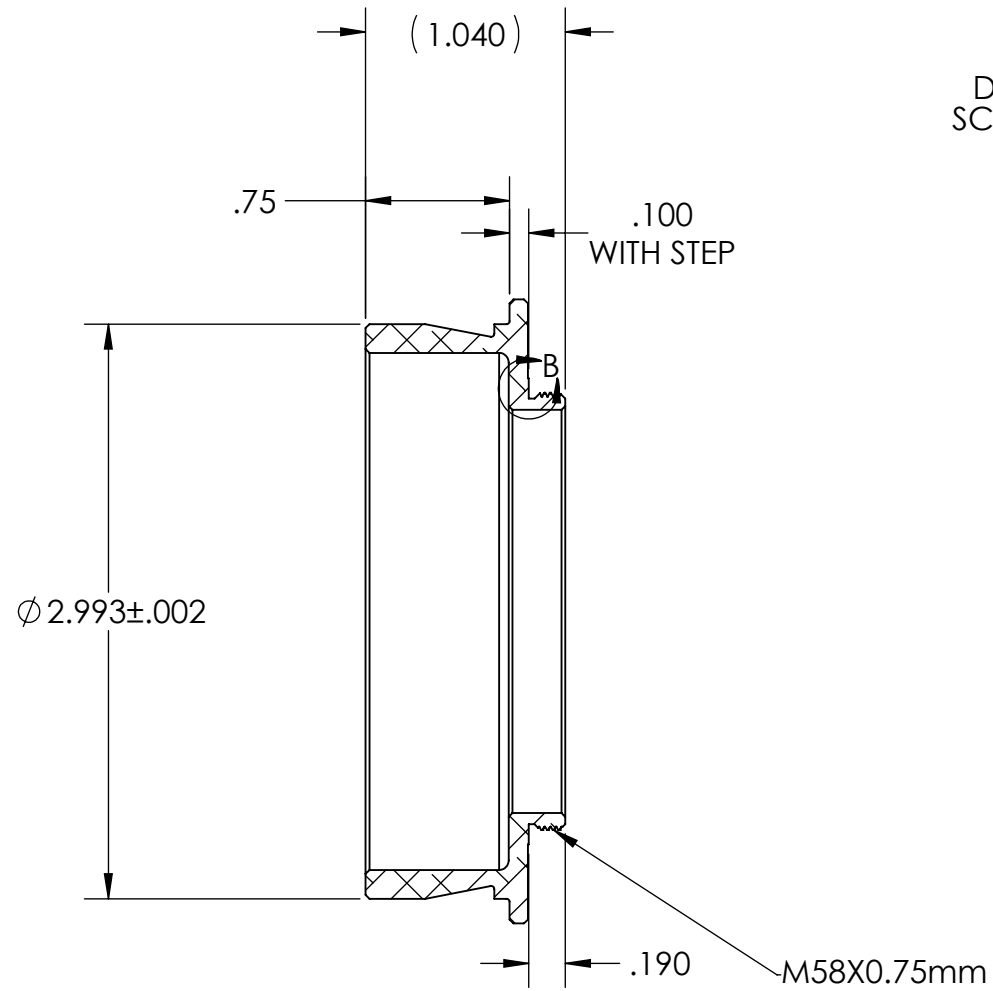
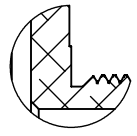


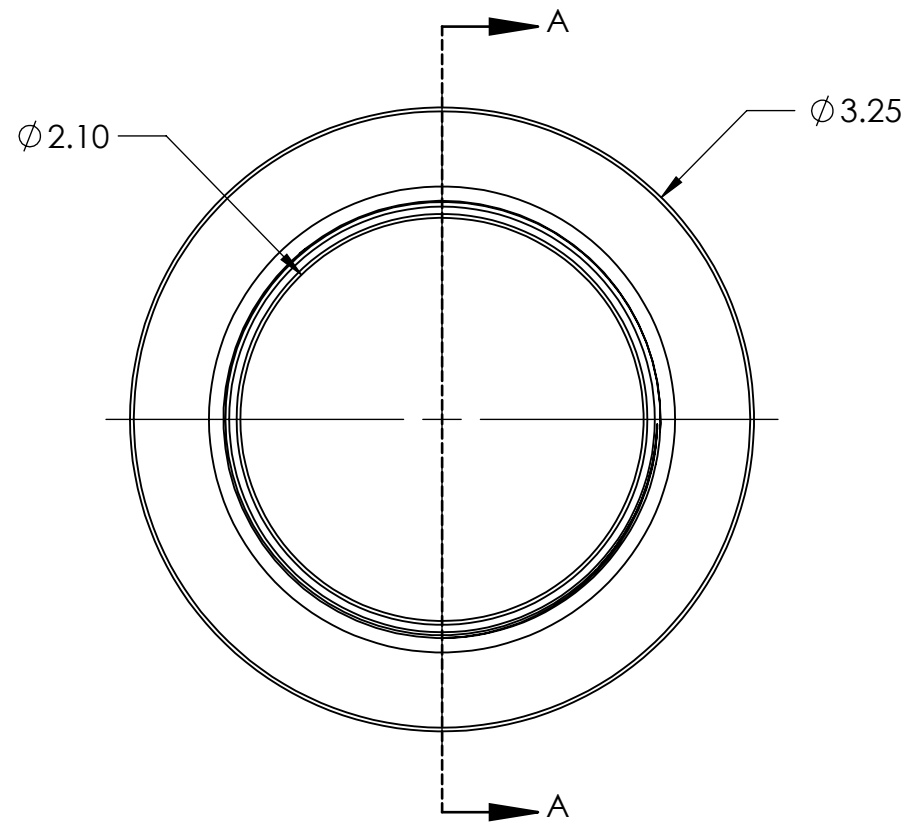
PN 7022
 STK. NO. 17850



SECTION A-A



DETAIL B
 SCALE 2 : 1



UNLESS OTHERWISE SPECIFIED: DIMENSIONS ARE IN INCHES TWO PLACE DECIMAL $\pm .007$ THREE PLACE DECIMAL $\pm .003$	DRAWN	NAME	DATE	Optec Inc.
	CHECKED	LD	4/1/20	
	ENG APPR.			
	MFG APPR.			
MATERIAL	6061-T6			TITLE:
FINISH	SEE NOTES			3-INCH TO M58X0.75mm
DO NOT SCALE DRAWING	CONTRACT			SIZE DWG. NO.
	3-INCH ADAPTERS			B 19-06721
	SCALE: 1:1	WEIGHT:	SHEET 1 OF 1	

