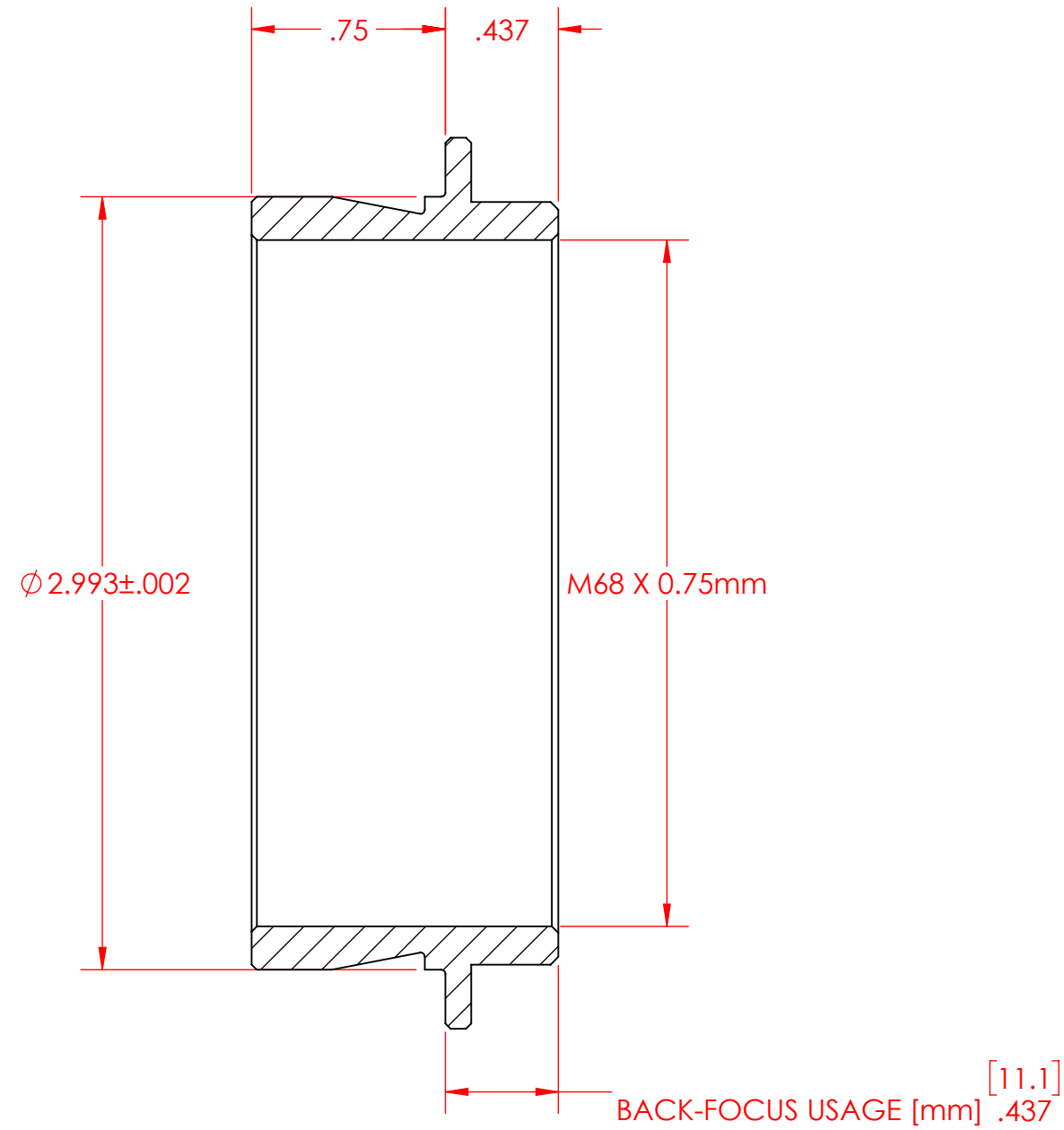
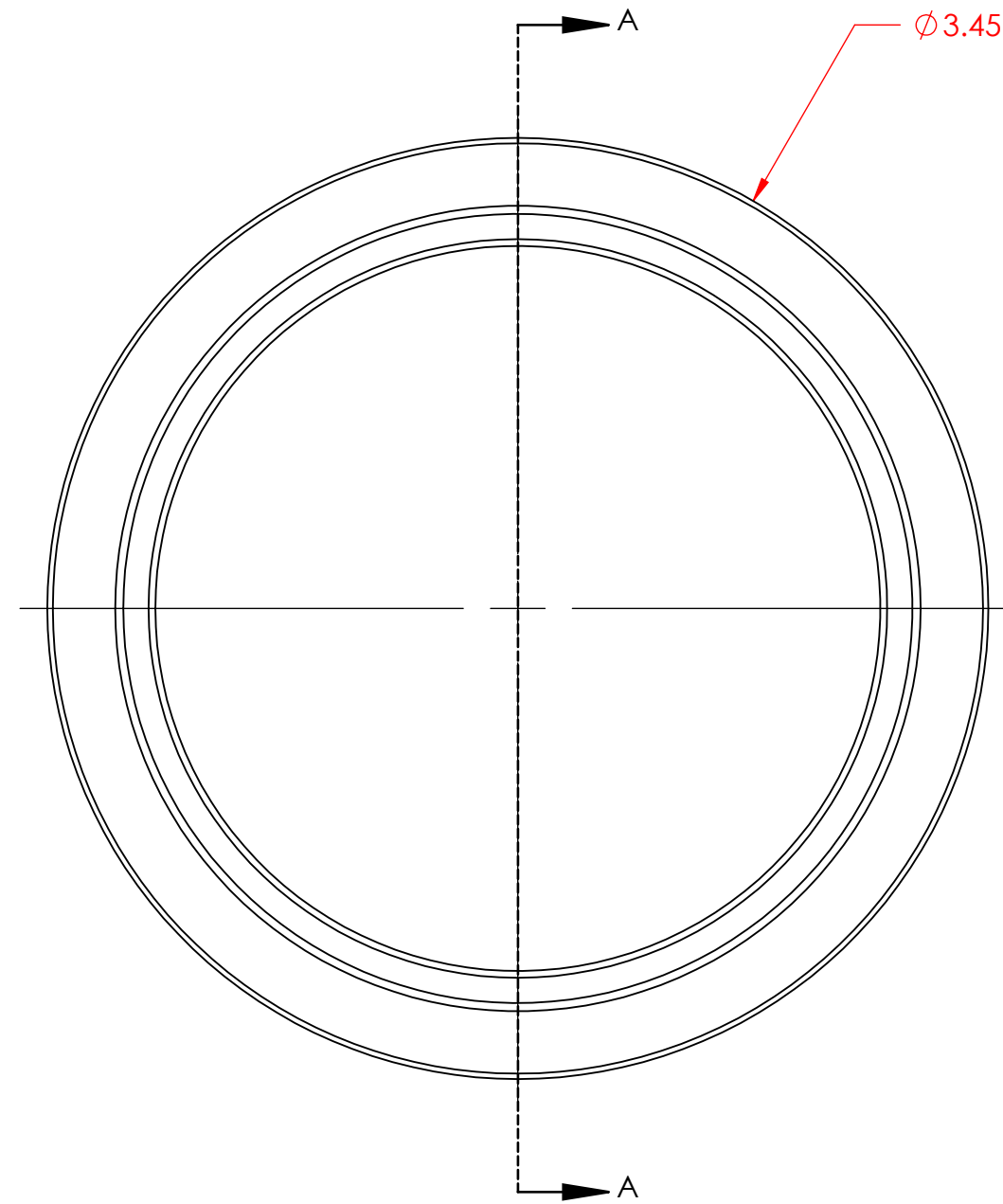


PN 5958
 STK NO 17848



SECTION A-A



UNLESS OTHERWISE SPECIFIED: DIMENSIONS ARE IN INCHES TWO PLACE DECIMAL $\pm .007$ THREE PLACE DECIMAL $\pm .003$	DRAWN	NAME	DATE	Optec Inc.
	CHECKED	LD	1/8/18	
	ENG APPR.			
	MFG APPR.			
MATERIAL	6061-T6			TITLE:
FINISH	SEE NOTES			OPTEC-3000 TO M68X0.75mm
DO NOT SCALE DRAWING	3-INCH ADAPTERS			SIZE DWG. NO.
				B 19-06707
				SCALE: 3:2 WEIGHT: SHEET 1 OF 1

