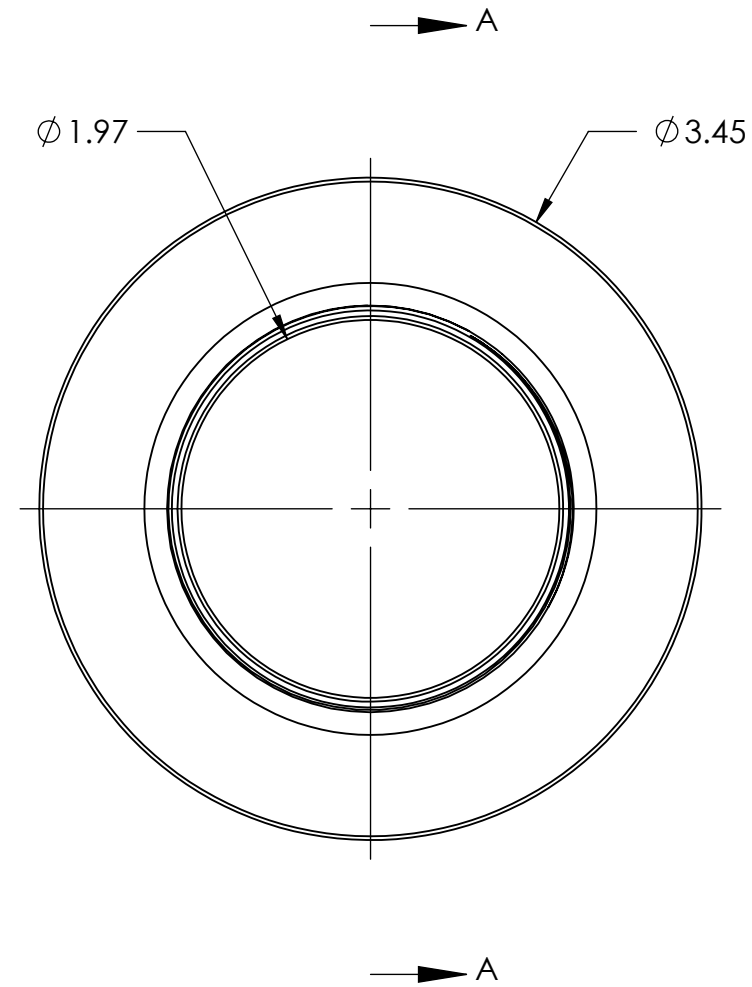
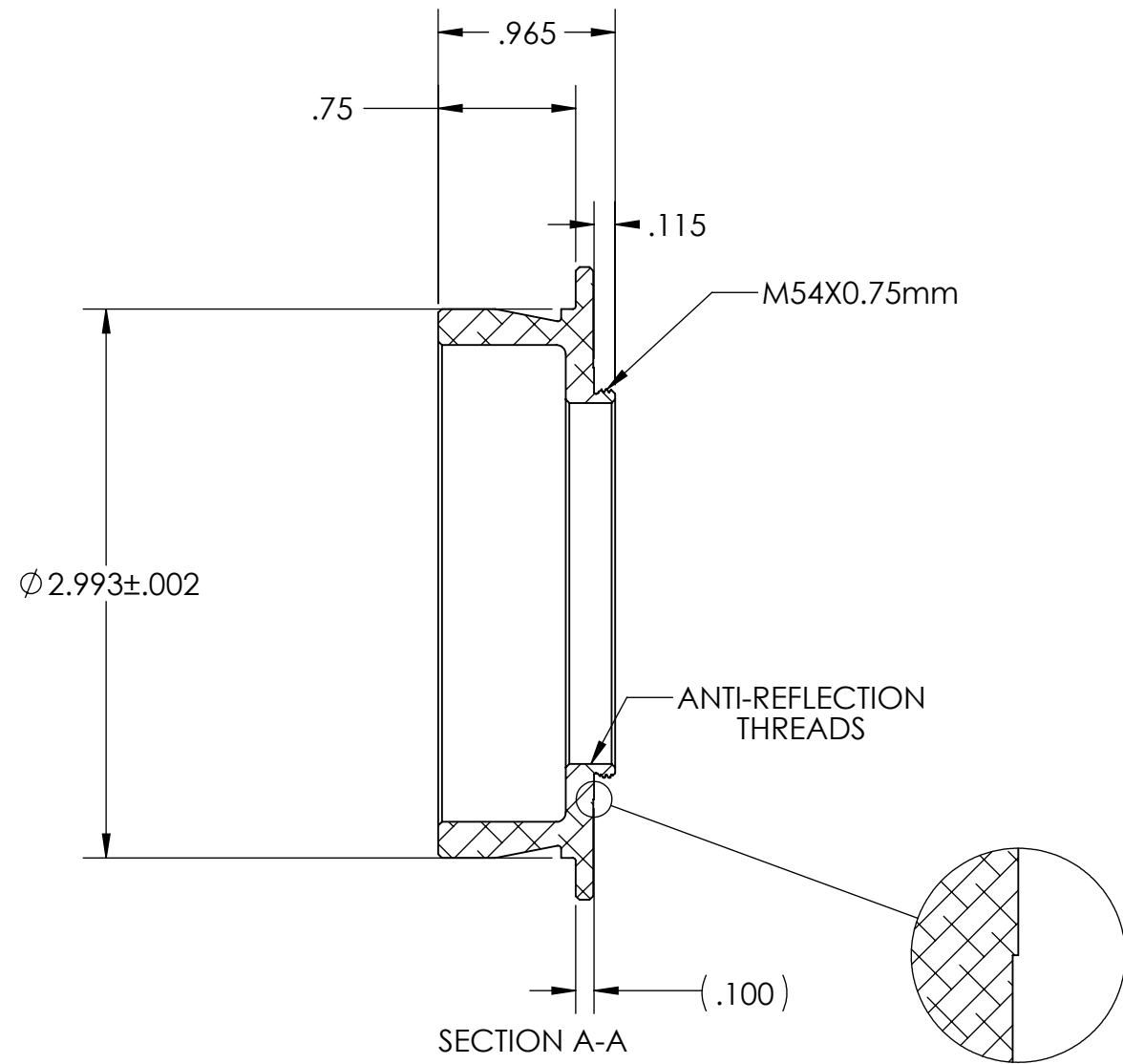


PN 5955
 STK. NO. 17847



UNLESS OTHERWISE SPECIFIED: DIMENSIONS ARE IN INCHES TOLERANCES: FRACTIONAL \pm ANGULAR: MACH \pm BEND \pm TWO PLACE DECIMAL $\pm .007$ THREE PLACE DECIMAL $\pm .003$	DRAWN	NAME	DATE	Optec, Inc.
	CHECKED	LD	2/20/18	
	ENG APPR.			
	MFG APPR.			
	Q.A.			TITLE:
	CONTRACT			OPTEC 3000 TO M54X0.75mm
	3-INCH ADAPTERS			SIZE DWG. NO.
	DO NOT SCALE DRAWING			B 19-06709
				SCALE: 1:1 WEIGHT: SHEET 1 OF 1

