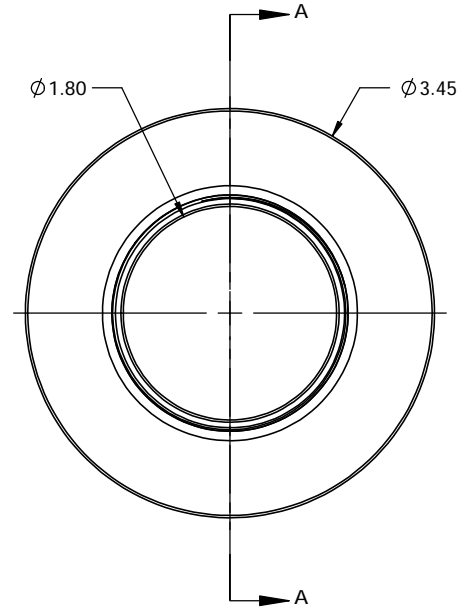
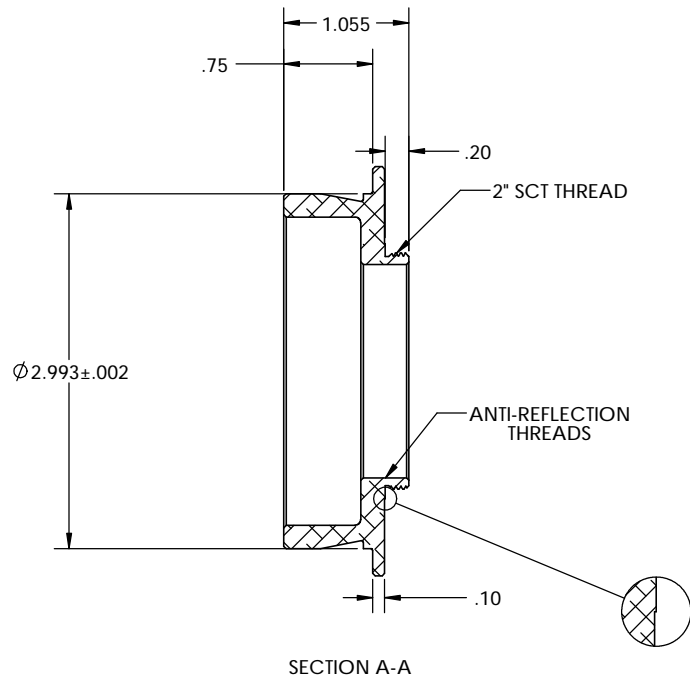


PN 5666
STK. NO. 17842



D
C
B
A

D
C
B
A

8 7 6 5 4 3 2 1

8 7 6 5 4 3 2 1

UNLESS OTHERWISE SPECIFIED: DIMENSIONS ARE IN INCHES TOLERANCES: FRACTIONAL ± ANGULAR: MACH ± BEND ± TWO PLACE DECIMAL ±.007 THREE PLACE DECIMAL ±.003	DRAWN	NAME	DATE	Optec, Inc. TITLE: OPTEC 3000 TO 2" SCT
	CHECKED	LD	09/23/13	
	ENG APPR.			
	MFG APPR.			
	Q.A.			
MATERIAL	CONTRACT			SIZE DWG. NO. B 19-06704
FINISH	3-INCH ADAPTERS			
DO NOT SCALE DRAWING				SCALE: 1:1 WEIGHT: SHEET 1 OF 1

