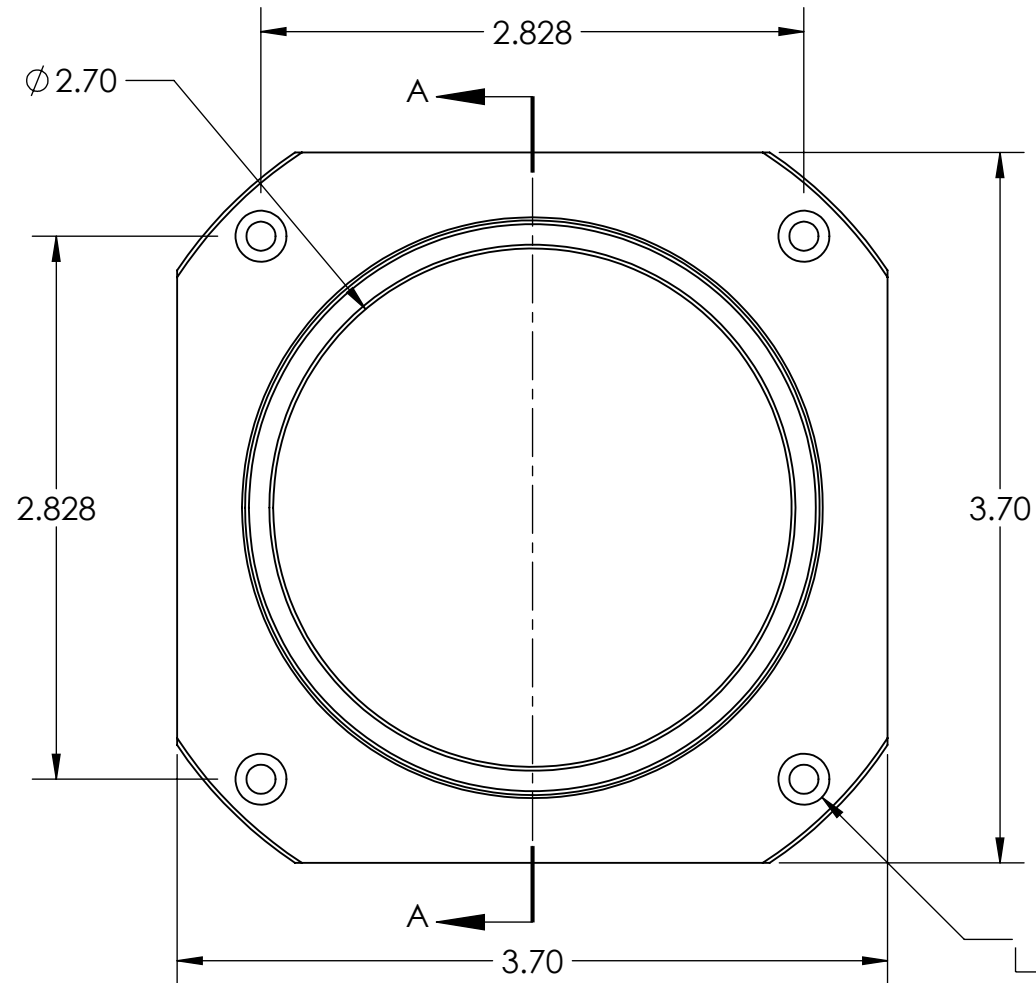
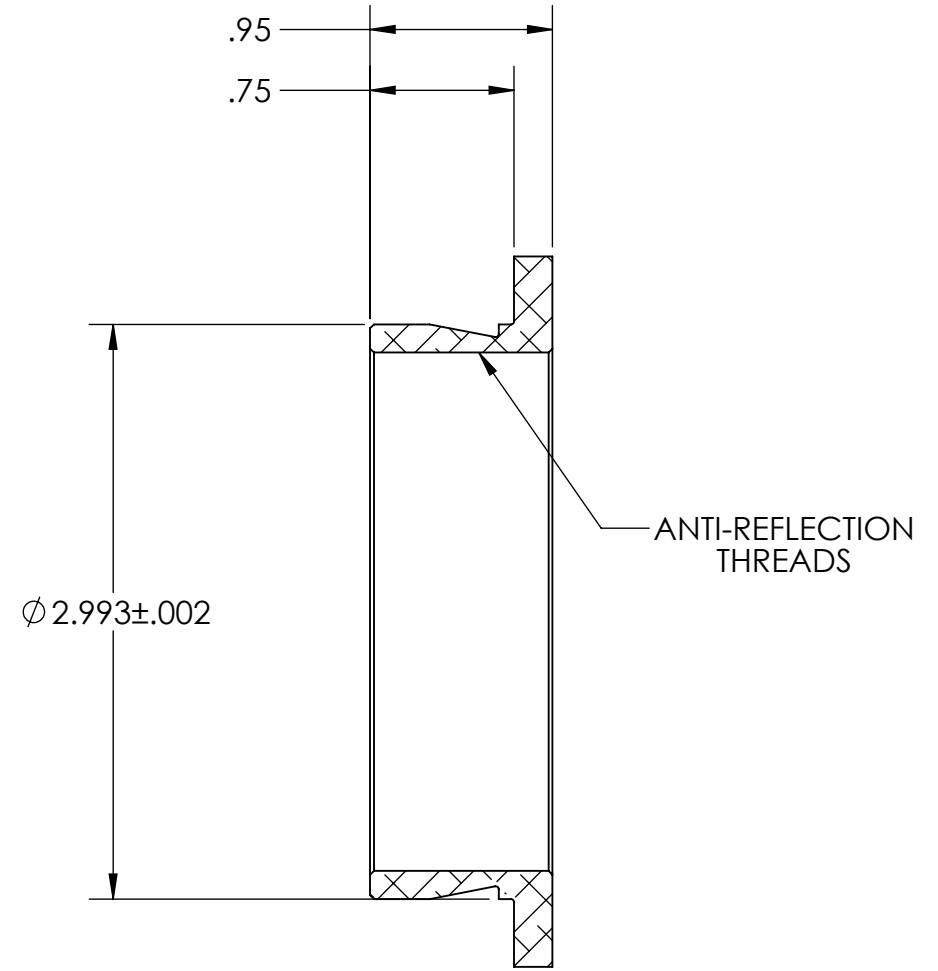


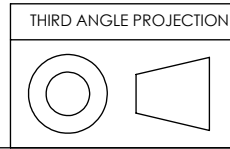
STK NO 17841



4X ϕ .152 THRU ALL
 ϕ .266 ∇ .145 \pm 0.010



SECTION A-A



UNLESS OTHERWISE SPECIFIED: DIMENSIONS ARE IN INCHES TWO PLACE DECIMAL \pm .007 THREE PLACE DECIMAL \pm .003	DRAWN	NAME	DATE	Optec Inc.
	CHECKED	LD	12/17/12	
	ENG APPR.			
	MFG APPR.			
MATERIAL	6061-T6			TITLE: STXL MOUNT
FINISH	SEE NOTES			
DO NOT SCALE DRAWING	CONTRACT 3-INCH ADPATERS			SIZE DWG. NO. B 19-06703
	SCALE: 1:1	WEIGHT:	SHEET 1 OF 1	