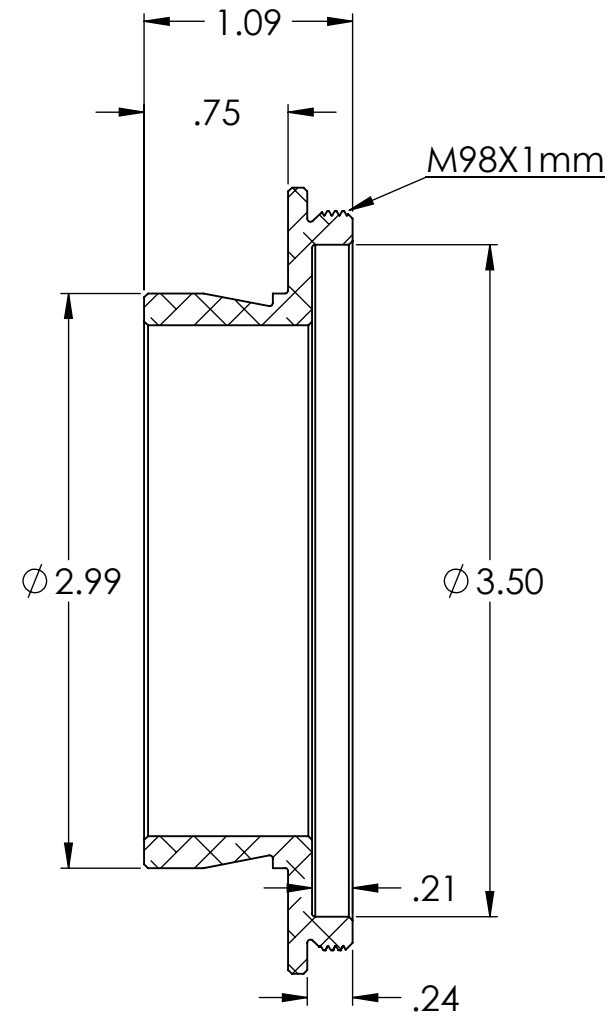
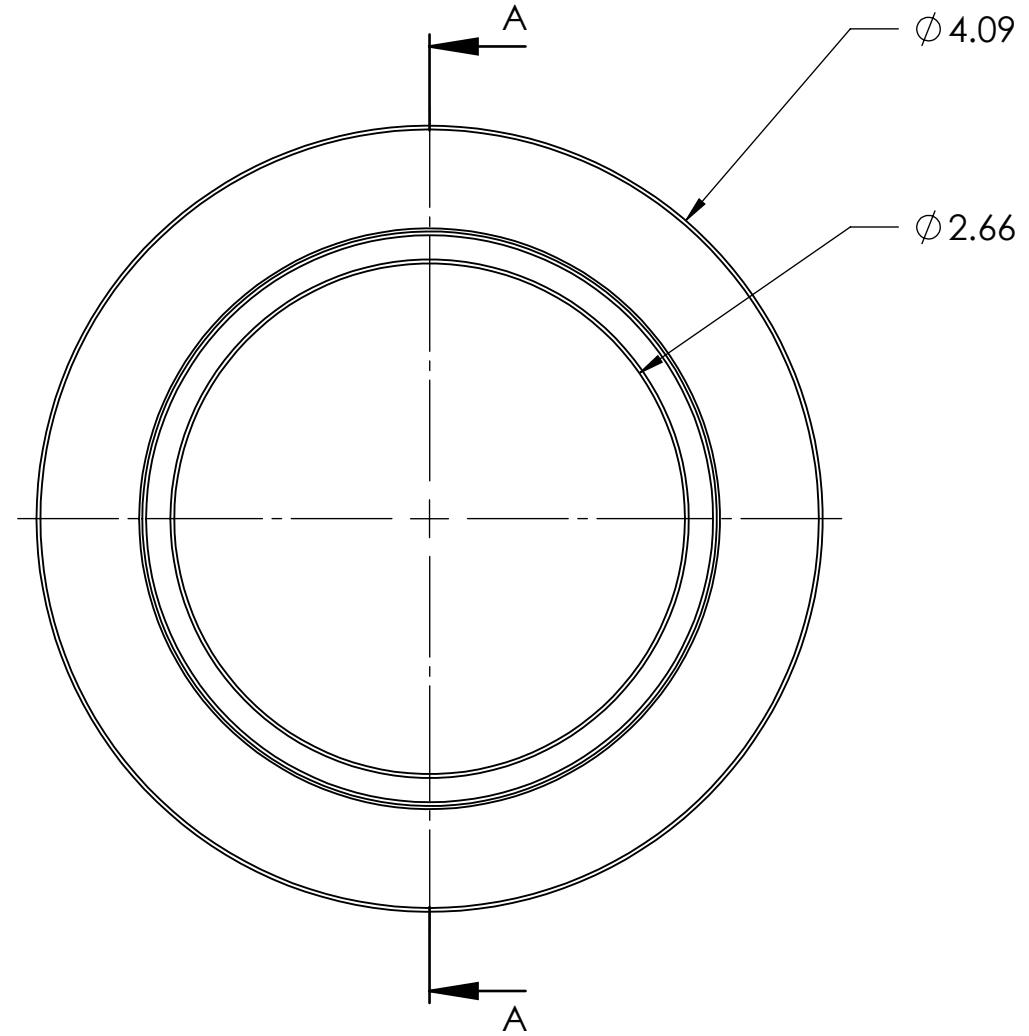


STK. NO. 17840



SECTION A-A
SCALE 1 : 1



UNLESS OTHERWISE SPECIFIED: DIMENSIONS ARE IN INCHES TWO PLACE DECIMAL ±.007 THREE PLACE DECIMAL ±.003	DRAWN	BC	03/07/2017	Optec Inc. TITLE: 3" TO MALE M98X1mm
	CHECKED			
	ENG APPR.			
	MFG APPR.			
MATERIAL 6061-T6	CONTRACT			SIZE DWG. NO. B 19-06702
FINISH SEE NOTES	OPTEC-3000			SCALE: 1:2 WEIGHT: SHEET 1 OF 1
DO NOT SCALE DRAWING				

