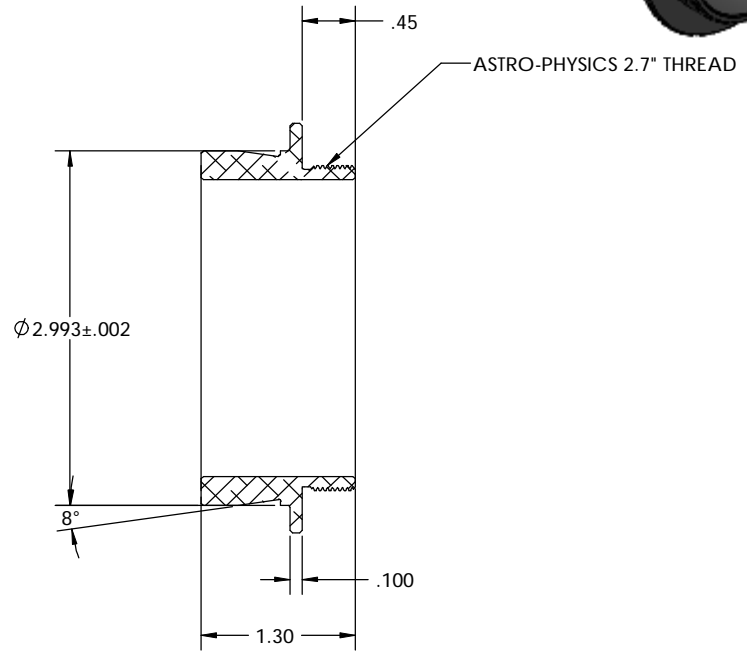
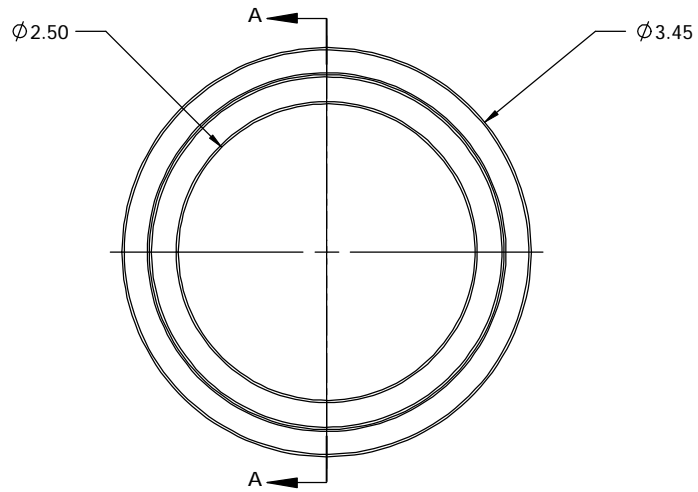


PN 4999  
STK NO 17838



UNLESS OTHERWISE SPECIFIED: DIMENSIONS ARE IN INCHES TOLERANCES: FRACTIONAL ± ANGULAR: MACH ± BEND ± TWO PLACE DECIMAL ±.007 THREE PLACE DECIMAL ±.003	DRAWN	NAME	DATE	<b>Optec Inc.</b>
	CHECKED	LD	05/10/09	
	ENG APPR.			
	MFG APPR.			
	G.A.			TITLE: 3" TO AP MALE 2.7" THRD
THIRD ANGLE PROJECTION	MATERIAL 6061-T6	CONTRACT		SIZE DWG. NO.
	FINISH FROSTKOTE BRIGHT DIP BLACK	3-INCH ADAPTERS		<b>B</b> <b>17-06700</b>
DO NOT SCALE DRAWING		SCALE: 1:1	WEIGHT:	SHEET 1 OF 1

