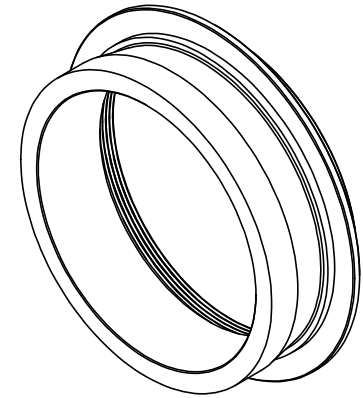
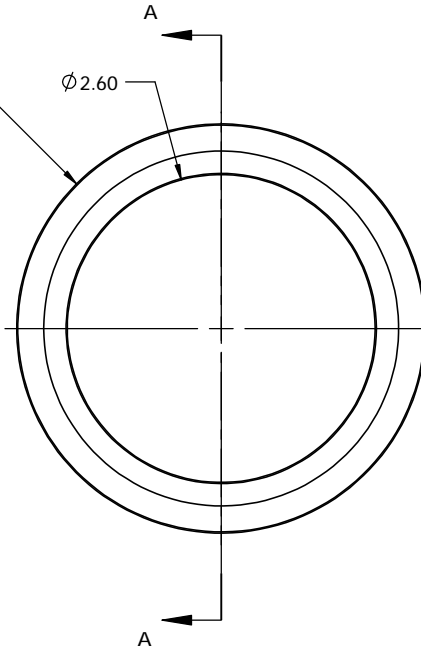
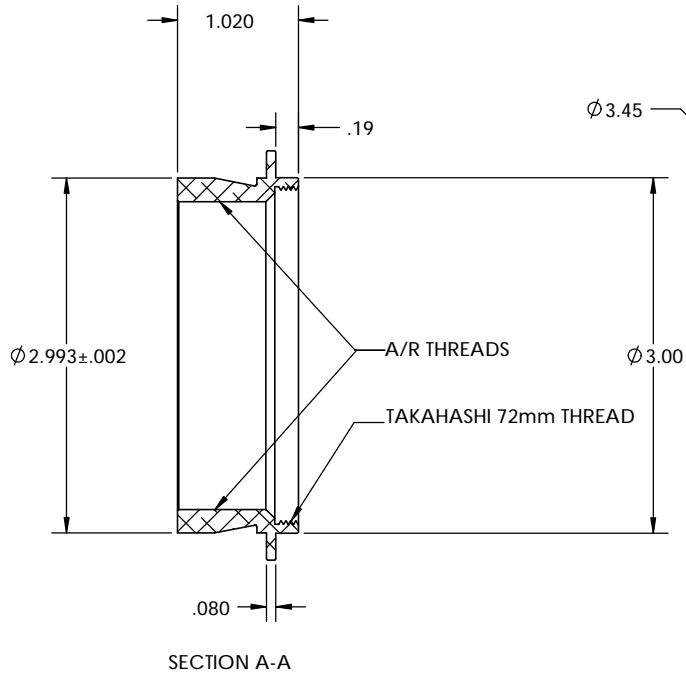


PN 4908
 STK. NO. 17834



UNLESS OTHERWISE SPECIFIED: DIMENSIONS ARE IN INCHES TOLERANCES: FRACTIONAL ± ANGULAR: MACH ± BEND ± TWO PLACE DECIMAL ±.007 THREE PLACE DECIMAL ±.003	DRAWN	NAME	DATE	Optec, Inc.	
	CHECKED	LD	04/30/09		
	ENG APPR.				TITLE:
	MFG APPR.				3" TO TAKAHASHI 72mm
	Q.A.				
THIRD ANGLE PROJECTION	MATERIAL	CONTRACT		SIZE	
	6061-T6	3-INCH ADAPTERS		DWG. NO.	
	FINISH: SATIN ETCH BLACK ANODIZE			B	
	DO NOT SCALE DRAWING			17-06694	
		SCALE: 1:1	WEIGHT:	SHEET 1 OF 1	