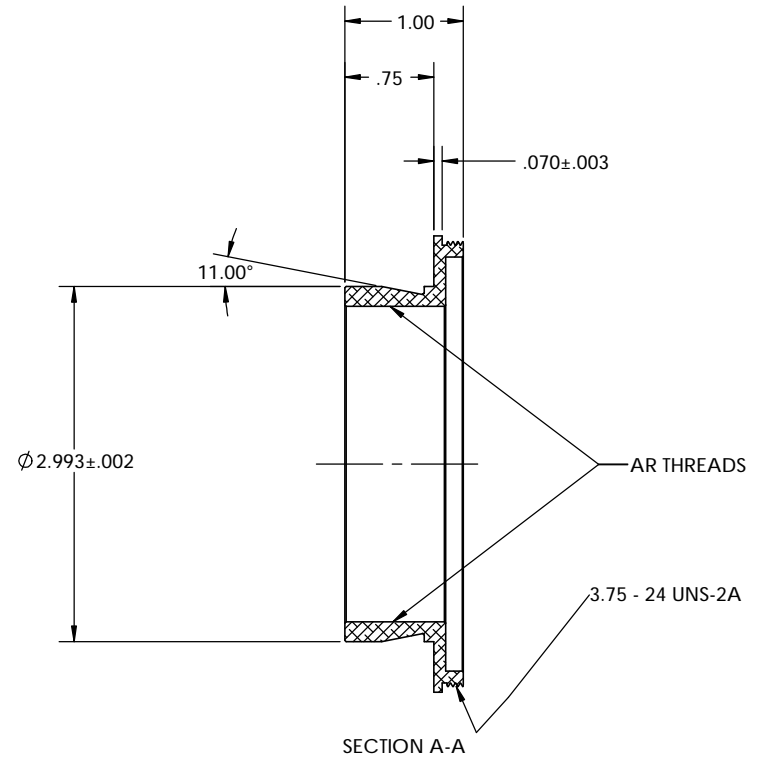
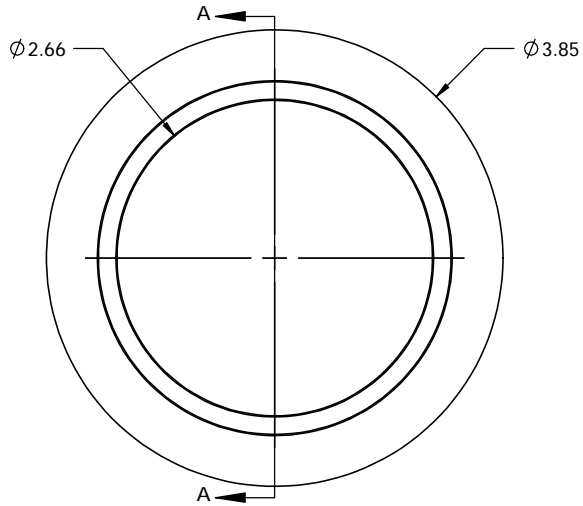


PN 4845  
Stk No 17831



UNLESS OTHERWISE SPECIFIED:		NAME	DATE	<b>Optec Inc</b>		
DIMENSIONS ARE IN INCHES		DRAWN	ELD			01/16/09
TOLERANCES:		CHECKED				
FRACTIONAL ± .015		ENG APPR.				
ANGULAR: MACH ± .5		MFG APPR.			TITLE:	
TWO PLACE DECIMAL ± .007		Q.A.			Pyxis 3 to PDF 3.75"	
THREE PLACE DECIMAL ± .003						
INTERPRET GEOMETRIC TOLERANCING PER:		CONTRACT				
MATERIAL		3-Inch Adapters			SIZE	
6061-T6511					DWG. NO.	
FINISH					17-06684	
Bright Dip FrostKote Black					REV	
					1.0	
DO NOT SCALE DRAWING					SCALE: 1:1	
					WEIGHT:	
					SHEET 1 OF 1	