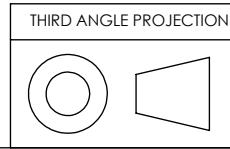
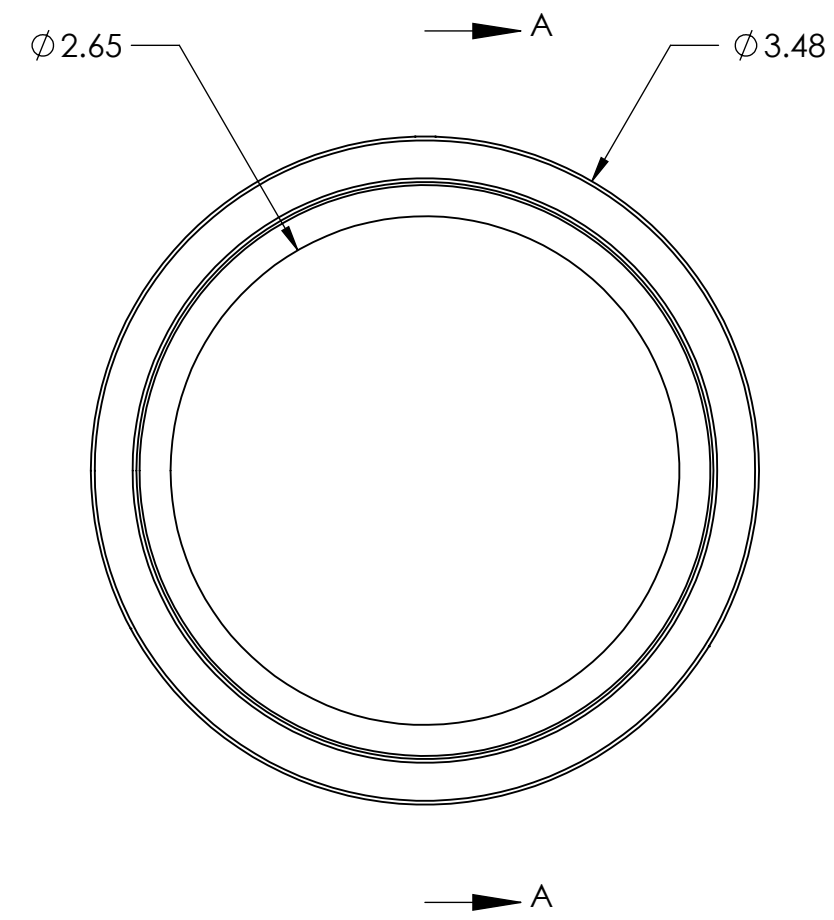
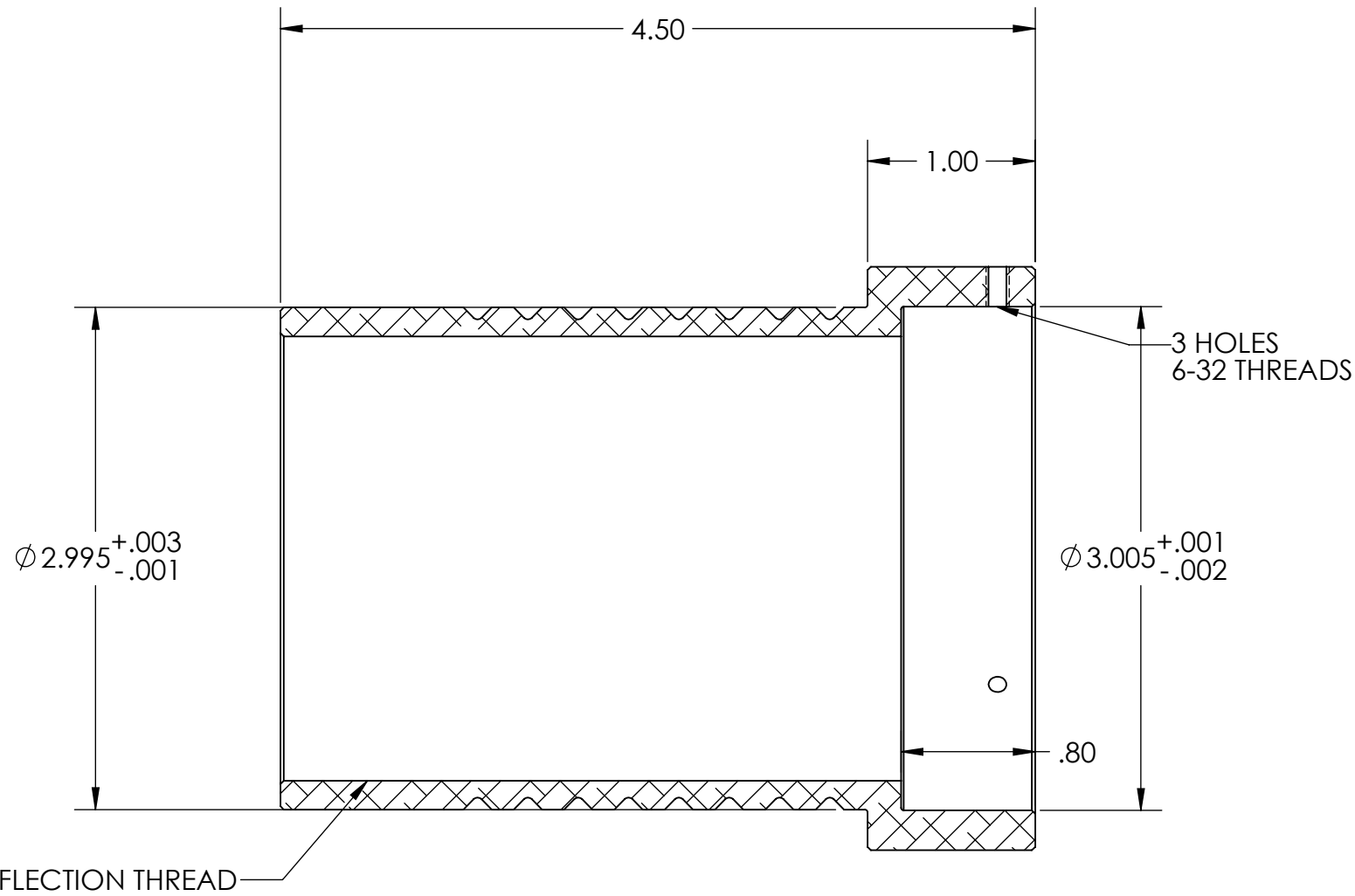


PN 4570
STK NO 17816



UNLESS OTHERWISE SPECIFIED: DIMENSIONS ARE IN INCHES TWO PLACE DECIMAL ±.007 THREE PLACE DECIMAL ±.003	DRAWN	LD	9/22/14	Optec Inc.	
	CHECKED				TITLE: 3-INCH EXTENDER
	ENG APPR.				
	MFG APPR.				
MATERIAL 6061-T6	CONTRACT			SIZE DWG. NO. B 17-06672	
FINISH SEE NOTES	3-INC ADAPTERS				
DO NOT SCALE DRAWING	SCALE: 1:1 WEIGHT:			SHEET 1 OF 1	