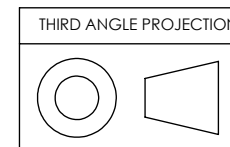
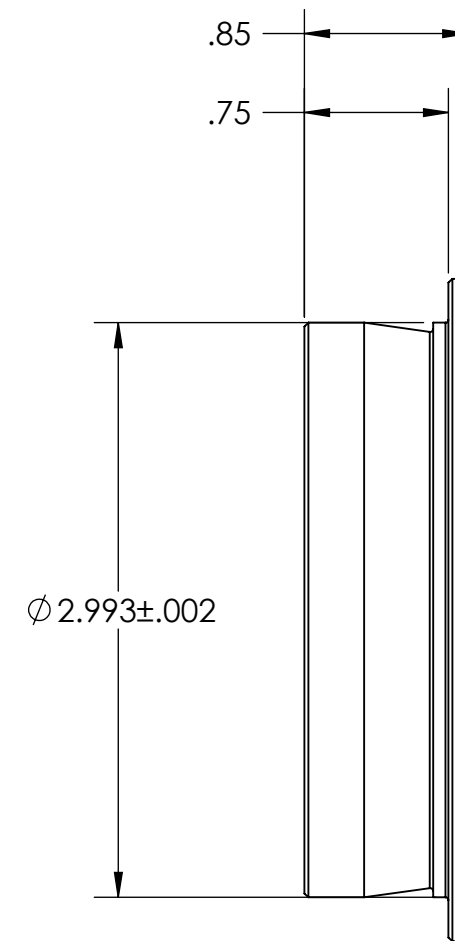
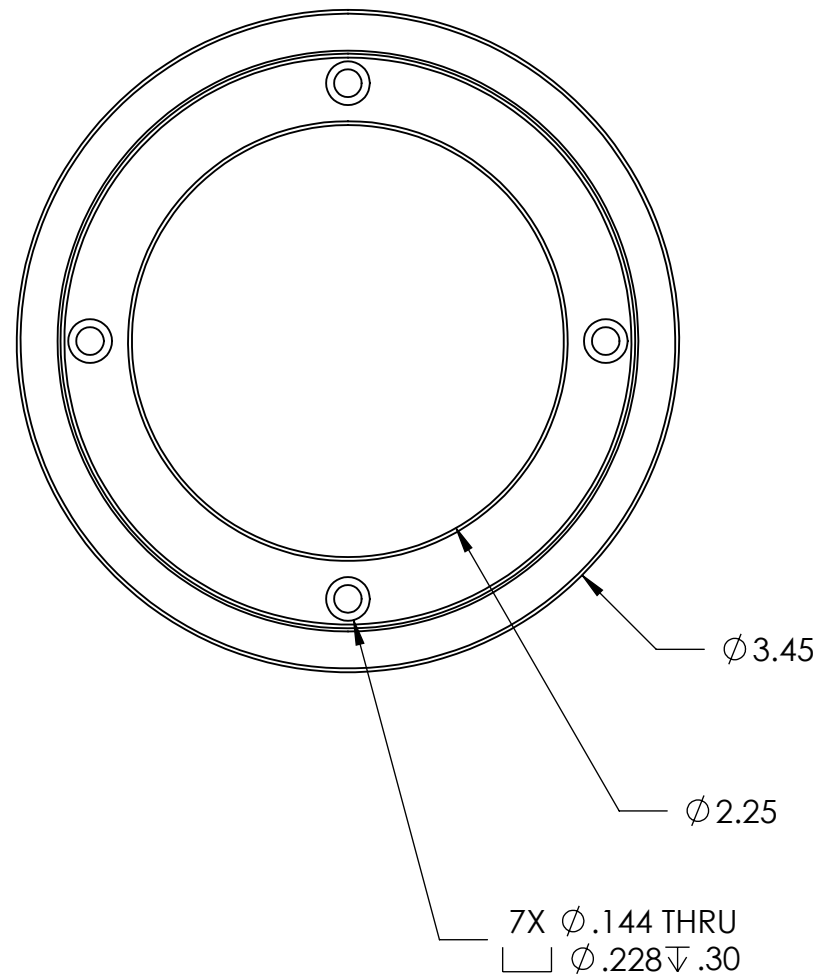


STK. NO. 17806



UNLESS OTHERWISE SPECIFIED: DIMENSIONS ARE IN INCHES TOLERANCES: FRACTIONAL \pm ANGULAR: MACH \pm BEND \pm TWO PLACE DECIMAL $\pm .007$ THREE PLACE DECIMAL $\pm .003$	DRAWN	LD	DATE	Optec, Inc.	
	CHECKED				
	ENG APPR.			TITLE: 3" TO STL ADAPTER - MOD	
	MFG APPR.				
MATERIAL	6061-T6		CONTRACT 3-INCH ADAPTERS		
FINISH	FROSTKOTE BRIGHT DIP BLACK				
DO NOT SCALE DRAWING			SIZE	DWG. NO. B 17-06668_MOD	
			SCALE: 1:1	WEIGHT:	SHEET 1 OF 1