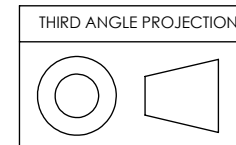
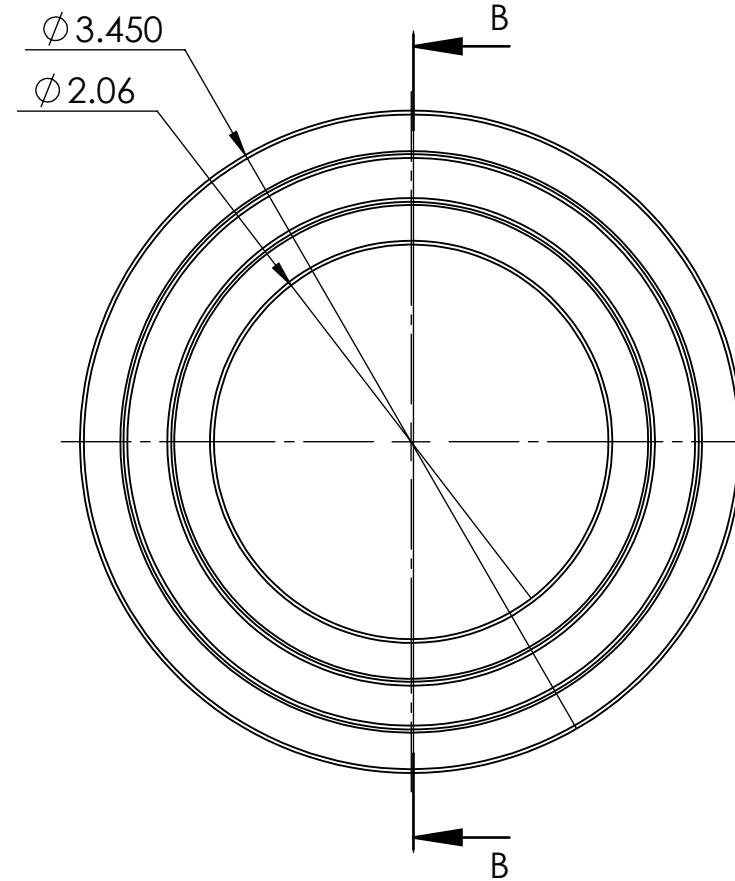
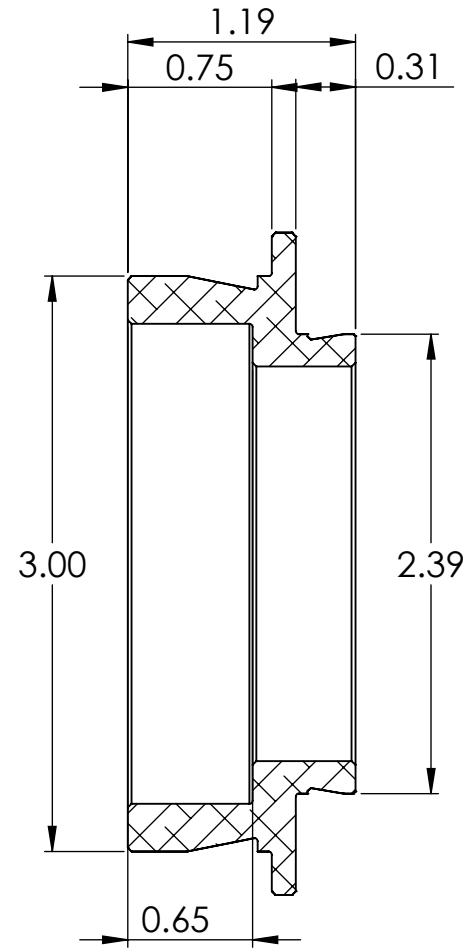


STK. NO. 17805



UNLESS OTHERWISE SPECIFIED: DIMENSIONS ARE IN INCHES TWO PLACE DECIMAL ±.007 THREE PLACE DECIMAL ±.003	DRAWN	BC	03/07/2017	Optec Inc. TITLE: 3 IN. TO OTPEC 2400 M.D.	
	CHECKED				
	ENG APPR.				
	MFG APPR.				
MATERIAL	6061-T6			CONTRACT	
FINISH	SEE NOTES				
DO NOT SCALE DRAWING	OPTEC-3000			SIZE DWG. NO. B 17-06664	
			SCALE: 1:2	WEIGHT:	SHEET 1 OF 1