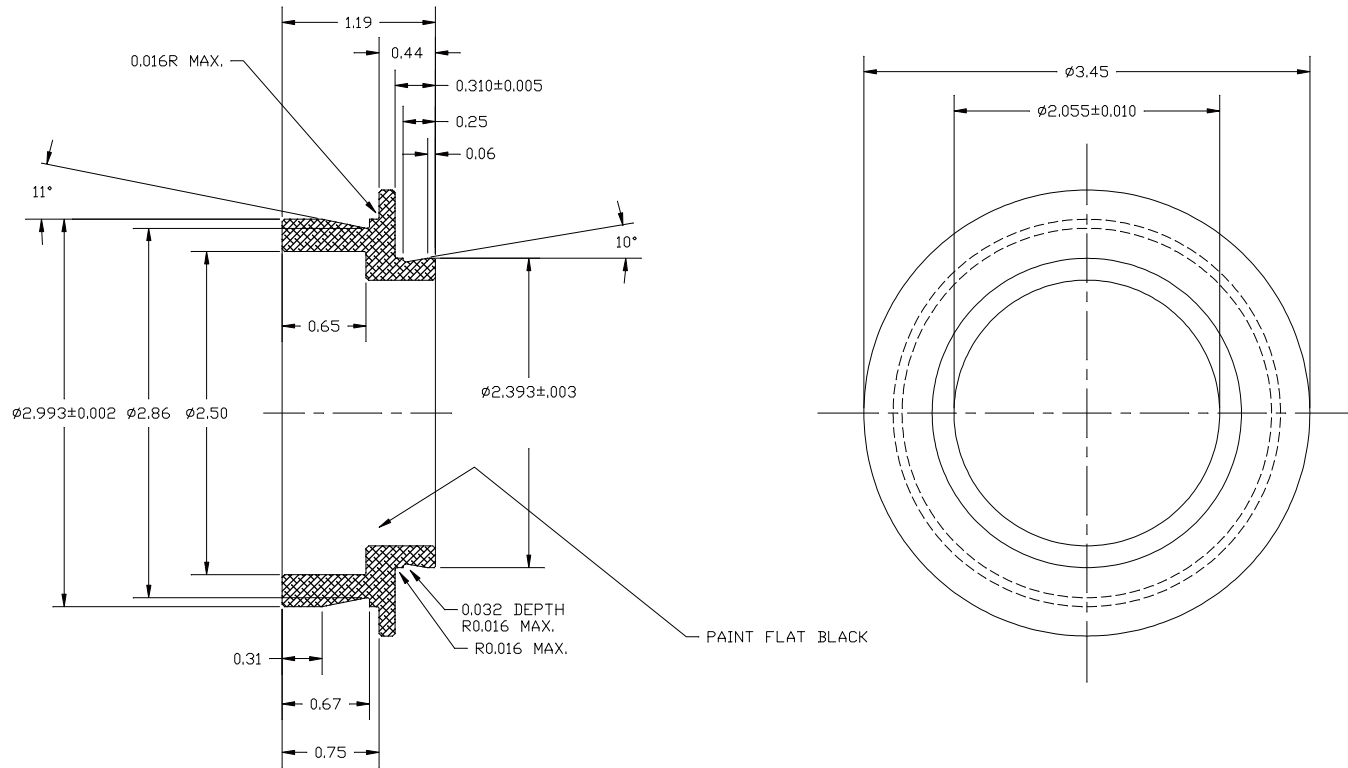


PN4511
 STK. NO. 17805



TOLERANCE .XX ±.007.XXX ±.003	CONTRACT 3-INCH ADAPTERS	<i>OPTEC, Inc.</i>	
MATERIAL 6061	REVISION 2/27/06 8/2/07	3" TO IFW ADAPTER	
FINISH BRIGHT DIP BLACK ANODIZE		SCALE: 1X	NO: 17-06664